



Water sports

Wakeboards

AIRHEAD

For riders up to 58 kg. Pack is perfect for beginners.



Designed to help riders of all levels, weighting up to 68 kg, excel at wakeboard.



Model designed for intermediate to expert riders weighting up to 78 kg.



Shred-time wakeboard pack 65425

Pack containing :

- A light Shred-time board, 124 cm length. Continuous rocker for a fast ride, smooth pop and landing. 2 removable fiberglass reinforced nylon fins provide excellent tracking and carving.
- **Grab** bindings : easy to put them on, easy adjustment with lace-up and velcro strip system. Comfortable, they provide good foot and toe support for more support into turns. Size : from 36 to 41.

Radical wakeboard pack 63976

Pack containing :

- A free-ride 134cm length Radical board delivering smooth transition through turns and a consistent pop off the wake. qui assurent un bon alignment. 2 removable fiberglass reinforced polyamide fins provide good tracking.
- **Venom** bindings : comfortable and versatile, they fit a wide range of foot sizes and riding abilities. Size : from 41 au 46.

Fluid wakeboard pack 65426

Pack containing :

- A Fluid 134 cm length board. Continuous rocker for a speed ride, smooth pop and landing. 6 fin dual thruster set up. 2 removable center fins provide tracking and 4 side fins to provide extra edge hold and loose feel in neutral position.
- **Clutch** bindings : precise adjustment guaranteed by the double lace-up system. 5 pairs of lace eyelets and adjustable toe strap. The mounting surface is reinforced with aluminium plates for more solidity. Size : from 42 to 45.

Kneeboard



Wake Shaker Kneeboard 63984

For riders of all levels.

- Massive rocker, beveled edges and unique bottom shape for a smooth and fluid ride. It enables a quick learning to turns and spins.
- Comfortable thanks to its ergonomic pad. Restraint Velcro strap provides good position onto the board. direct access to the rope handle.
- Dimensions : 1.30 m x 0.50 m



EZ UP hook for easy, effortless starts and direct access to the rope handle.

Water skis



Breakthru junior skis 63972

Model especially designed for children up to 45 kg. Feature a parabolic side cut and tapered tail for quick learning. Fitted with removable stabilizer bar and tail ties between skis to help the child start and get out of water easily and keep stable while riding.
Ski length : 120 cm
Rope and fiberglass reinforced nylon rudder included.
Comfortable and adjustable bindings
Size : 29 to 36 (European size).



AIRHEAD

1300 Combo water skis 63973

Ideal for all skiers who expect a stable ride that enables them to develop their skills. Composite construction and fiberglass reinforced polyamide fins. The tunnel shaped bottom, wide tail and mild rocker provide the perfect ratio between control and stability to ensure quick progress.
Length of skis : 170 cm
Adjustable reinforced bindings.
Size : 36 to 46 (European size).

Plastimo strongly recommends to wear a lifejacket when practising a fun watersport. See pages 29 & 30.

Ropes and rudders

For wakeboards, skis and kneeboard.
UV-treated 16-strand rope.
All models include a rope keeper.



Ref	Length	Features
A 63989	1 section 22, 50 m	Aluminium core handle and grip.
B 63990	3 sections 14 m, 17 m, 20 m	38 cm head turning. Floating aluminium core handle covered with comfortable EVA grip.
C 63991	3 sections 14 m, 18 m, 23 m	Ergonomic shape handle with aluminium core covered with comfortable EVA grip.



Ski/wakeboard bar 400030

Chromed brass.
Ø 40 mm, height 120 cm.
Supplied with brass socket and ring ext. Ø 50 mm.

Ski tow eyes

To be mounted on the transom for a quick and easy connection of the ski rope.



**304 st. steel
16958**
Ø : 63 mm. Overall height : 113 mm.
Oarlock Ø : 9 mm.
St. steel threaded rod : 78 mm.



**Chromed brass
400417**
Ø : 20 mm. 95 x 45 x 38 mm.

Snap hooks

316 st. steel quick release snap hook. Compulsory for the practice of water-skiing and wakeboard. Not suitable for kitesurfing.
SWL* : 150 kg. Break load : 800 kg.



411045
Homolog :
R.I.N.A. certified



31452

* SWL : Safe Working Load.



Ski ropes

Braided polyethylene Ø 7 mm, anti-UV treated. Break load : 600 kg.

- Orange : **16981**
 - Yellow : **31354**
- Length 100 m.

Towable tubes

AIRHEAD

Common features

- Heavy-duty PVC bladder wrapped in a double stitched 840-denier polyamide cover.
- Fitted with the "Kwik-Connect" system for fast and secure hook-ups.
- Boston valve for quick inflating and deflating.



Transformer 3 towable tube



63983

3 tubes in one ! 3 possible combinations : deck-deck-deck, cockpit-deck-cockpit or cockpit-deck-deck. The center rider is automatically in deck mode and the outside riders can choose their position. To transform the tube in cockpit mode, simply remove the inflatable inserts and roll up the deck pads.

- 10 Polyamide-covered handles with neoprene knuckle guards for a sure and comfortable grip.
- Dimensions (deflated) : 284 x 233 cm



Hot Dog towable tube

63982

Banana type inflatable tube for 3 riders maximum.



- 3 Polyamide-covered handles with neoprene knuckle guards for a sure and comfortable grip.
- 3 neoprene seat pads for confort and good position on the tube.
- Dimensions (deflated) : 260 x 120 cm.



Matrix V-2 towable tube

63980



Flat tube with U-shaped sides for 2 riders.

- 6 polyamide-covered handles with neoprene knuckle guards for a sure and comfortable grip
- 2 oversized neoprene pad are located on the elbow and knee positions for more comfort and protection.
- Dimension (deflated) : 188 x 162 cm



Slash II towable tube



63979

Maximum sensations wait for riders !

- 4 polyamide-covered handles with neoprene knuckle guards for a sure and comfortable grip.
- Plastic fins sewn on the cover enable the riders to steer the tube into the wanted direction and to do carving.
- Front has been raised. Easy to re-board with the open back design.
- Dimensions (deflated): 147 x 122 cm



Slice Round towable tube



65427

Round low profile tube for 2 riders.
4 nylon handles.

Knee pad in non-slip neoprene.

Tapered construction makes it easy to climb on from the water.

Dimensions (deflated) : 147 cm



Blast round towable tube

63977

- Heavy-duty PVC bladder with double stitched polyamide outside cover with reinforced internal tow harness.
- Self draining floor vent.
- Diameter (deflated): 137 cm.



Common features for Blast & Rebel models

- 4 polyamide-covered handles with neoprene knuckle guards for a sure and comfortable grip.
- Boston valve for quick inflating and deflating.



Rebel round towable tube pack

63978

- This pack contains : a deck towable tube for a single rider, a 12V portable pump for quick inflation, a color-matched 16-strand tow-rope.
- Heavy-duty PVC bladder with polyamide double-stitched outside cover for added durability.
 - Dimensions (deflated) : 137 cm.

Accessories

Tow harness **64259**

Heavy duty harness with 2200 kg tensile strength hooks.

Perfect for pulling skiers, wakeboarders, kneeboarders and up to 4-rider towables.

- Easy and secure fastening device thanks to both stainless steel hooks.
- 15 cm float keeps the tow harness afloat, away from the propeller.
- 360 cm long to fit larger boats.

HEAVY DUTY



2-m orange pennant **25599**

In most European countries, **pneumatic towed crafts** are subject to a specific regulation. A majority of countries require a quick release device on the tube, and have made it compulsory for the towing boat to fly a 2m bright orange pennant, giving clear evidence that a pneumatic craft is towed.

Rope for tubes

Rope keeper is included.



A



B



C

Ref.	Length	Features	Traction resistance
A 63985	15 m	With a 15.6 cm loop at each end. Compatible with 1 rider towable tubes.	680 kg
B 63987	18 m	Rope with a 15.6 cm loop at each end. Compatible with 1-2 rider towable tubes.	1077 kg
C 63988	18 m	16-strand heavy-duty rope with a 15.6 cm loop at each end. Compatible with 3-4 rider towable tubes.	1882 kg



Repair kit for towables **64252**

Permanent, flexible, watertight repair kit for neoprene wetsuits, inflatable rings, air beds, shoes and other neoprene, rubber, nylon, leather, PVC, PU and most plastic products.

Watersports towers

**MONSTER!
TOWER**
(Wakeboard Towers & Accessories)



MTK stealth black

Illustrated with optional accessories.

MTK

Easily folds down to fit into a garage or a boat house for wintering.



MT1 glossy black



MTE

Monster Tower®

Superior watersports towers for the perfect set-up on board of wakeboards, water skis, mirror, speakers, bimini-tops...

- Towers in polished anodized aluminium tubing Ø 64 mm (2.5") : the largest Ø on the market to support multiple accessories.
- Universal mounting ; fits virtually any trailerable boat.
- Quality finish for durability, backed up by a 5-year warranty.

For boat size	Description	Ref.	Model	Warranty	Code
Length above 4.80 m Width 1.52 to 2.60 m	Forward raked tower. 2-bar top for accessory mounts.	64197	MTK, glossy black aluminium	5 years	SOT407
	360° navigation light included (2NM visibility. COLREG 72)	65013	MTK, stealth black aluminium	5 years	SOT409
		64196	MTK, natural colour aluminium	5 years	SOT405
		64961	MT1, glossy black aluminium	5 years	SOT101
	2-bar top for accessory mounts	64195	MT1, natural colour aluminium	5 years	SOT100
Max length 4.80 m. Width 1.52 to 2.60 m	1-bar top for accessory mounts	64194	MTE, natural colour aluminium	2 years	SOT301

Bimini

- Mounts instantly on the rear legs of the MonsterTower.
- Deploys or folds out of the way when not in use.
- Solid black Sunbrella® fabric. Rotproof and UV-treated : 10-year warranty on fabric.
- Polished and anodized tubing with black nylon hardware.
- Includes a black Sunbrella® matching boot for storage.

Model	Ref.	Dimensions	Code
Bimini top for MTK towers	64201	183 x 183 cm	BIM-MTK
Bimini top for MT1 towers	64216	165 x 157 cm	BIM-MT1
Bimini top for MTE tower	64215	163 x 163 cm	BIM-MTE





Wakeboard & ski racks

4 rack models to store safely your wakeboard, surf or water skis on board.

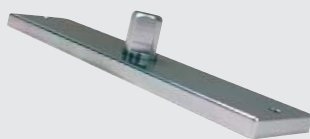
Equipped with a quick release mounting system to remove the rack without tools for security purposes, when trailering or when docking in a tight slip.

- Stylish and durable : forks in 6063 brushed anodized aluminium, holding bracket in 303 stainless steel.
- Rubber bumper to protect boat and boards.
- UV-resistant shock cords holds boards safely in place.

Rack model	Ref.	Colour finish	Fork width	Code
Wakeboard	64198	Brushed aluminium	38 mm	WBRBA-2.5
	65679	Brushed aluminium, black coated	38 mm	WBRBK-2.5
Wake / surfboard combo	64429	Brushed aluminium	38 mm & 70 mm. 2 wakeboards or 1 wake + 1 surfboard.	SWR-2.5
	65679	Brushed aluminium, black coated		SWR-BK 2.5
Water ski	64432	Brushed aluminium	38 mm. 1 pair of combos or 2 slalom skis.	WSR-2.5

For an uncluttered and efficient storage in your garage or garden shed : try our wall mount holder. Wakeboard or ski racks can be taken down instantly and secured easily on the wall mount holder. Whether on the water or at home, your boards will always be safely stored.

Wall mount holder 64433



All racks come with a 64 mm (2" 1/2) Ø mounting clamp to fit Monster Tower® bars specifically. To install racks on a different bar Ø please order a kit of universal collar inserts.

- Kit of 6 collar inserts
64200



From 1" 5/8 to 2" (41 to 63 mm)

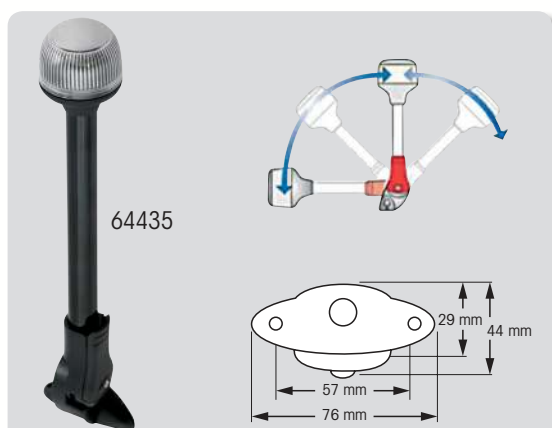


18 W LED spotlights 65014

Super bright 18 W LED lights. Casing in black polished anodized aluminium. Fits any watersports tower with tubing Ø 38 to 64 mm (1" 1/2 to 2" 1/2).

- Input voltage : 10-30 V dc.
- 6 x 3 LEDs on each spotlight.
- Consumption : 1.3 Amp on 12 V / 0.6 Amp on 24 V.

Spotlights provide extra comfort and visibility around the boat : they are no substitute for mandatory navigation lights and are not intended for night time riding.



360° white light 64435

White light on pole, horizontal or vertical mount with screw-on plate (included). 2 NM visibility, rated for 50.000 hours. Easily wire into existing system. Total height light + pole : 20 cm. Light Ø 5 cm. Articulated base allows pole to fold down laterally when not in use.

Speakers

Awesome look and fantastic sound on board.



- Sealed speakers with coaxial drivers.
- 60 W RMS, 150 W peak power handling.
- Polished anodized aluminium can, silver grill.
- Instant installation on the tower top bar : clamp Ø 64 mm (2"½) is designed to fit perfectly all Monster Tower bars.
- Double barrel models : speakers swivel and can be removed for storage and trailering.

All speakers come with a 64 mm (2"½) Ø int. mounting clamp to fit Monster Tower bars. To install speakers on a different bar Ø please order a kit of universal collar inserts, ref. 64200.



- Gold plated terminals
- Rubber washers for sealed enclosure
- 4 Ohm impedance
- Sound level 82 dB on Single, 86 dB on Double
- 25-22 kHz frequency range
- Weight : Single 2,5 kg each – 5,4 kg per pair
Double 5 kg each – 8,160 kg per pair

Model	Ref.	Mounting	Sold by	Code
SINGLE chrome	64214	Fixed speakers	Pair (2 speakers)	PLK-SG-CR
SINGLE black	64202	Fixed speakers	Pair (2 speakers)	PLK-SG-BK
DOUBLE chrome	64436	Swivelling & removable	Pair (4 speakers)	PLK-DB-CR
DOUBLE black	64437	Swivelling & removable	Pair (4 speakers)	PLK-DB-BK

Mirrors



Windshield mount mirror 65016

Panoramic mirror (15 x 36 cm) for perfect view of skier or rider : enhances the safety of your watersports activities. Adjustable carbon fibre mount that clamps to your boat's windshield frame. Adapters included to fit almost any windshield.



Mirror for tower mount 64199

Mounted on adjustable arm, easily, positioned for perfect view of rider or skier. Polished aluminium frame. Tower mounting position combined with large size mirror (18 x 36 cm) make it easier to watch rider/skier. On Monster Tower tubing Ø 64 mm (2"½). Adapts to any other tube Ø with the addition of collar insert.

Equipped with quick-release system for removal in seconds for storage while arm remains on boat.



Mirror 35648

Chrome plated steel construction. Dimensions : 18 x 8 cm. Multi-position dash or top of windshield mounting.

Tow bar



Tow bar for wakeboarding, water skiing and fun tubing.

- Mounts directly on any outboard engine, with no need to take down the engine.
- Tow rope is attached to the EZPulley® that runs smoothly around the motor cowl.
- Pull force is exerted from the engine : provides more directional stability and contributes to a straight path and constant speed (also means reduced fuel consumption).

Driving with a steady course is easier and more comfortable and provides the skier or wakeboarder a smoother and safer ride.



- Pull force enhanced by at least 20 HP.
- Fuel saving.
- Protects the engine
- Tow rope positioned well above the wave.
- Auto-trim, adjustable in height



Complete TurboSwing® kit includes :

1 TurboSwing® tow bar, 2 swivelling bases, EZPulley®, protection stripe for base, snap hooks and screws with washers and caps.

Outboard motor	Ref.	Model
30-40 HP	64427	TurboSwing® XM
30-140 HP	64191	TurboSwing® XL
100-250 HP	64192	TurboSwing® XXL
150-350 HP	64206	TurboSwing® Giant
30-140 HP	64430	TurboSwing® XL Twin (2 engines)
100-250 HP	64428	TurboSwing® XXL Twin (2 engines)
150-350 HP	64431	TurboSwing® Giant Twin (2 engines)



Accessory

EZ Pulley®
64193
(additional)



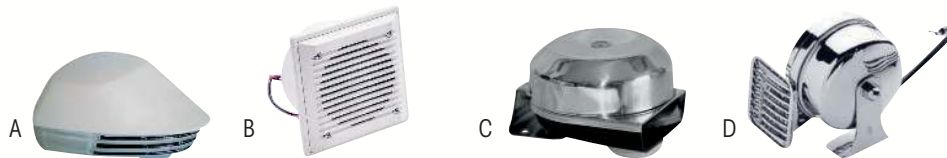
Marine horns



Trumpet design electric horns

Power	Sound	Ref.	Features	Dimensions (L x l x H)
12 V	1 tone	405993	Stainless steel, trump in ABS.	228 x 102 x 82 mm
12 V	Dual tone	420061	Stainless steel, trump in ABS.	228/292 x 102 x 82 mm
12 V	1 tone	405994	Stainless steel, trump in ABS.	292 x 102 x 82 mm

Compact electric horns



Power	Sound	Ref.	Features	Amp.	Dimensions	Weight
A 12 V	1 sharp tone 420 Hz 107 dB (A)	10528	ABS and chrome. Supplied with chrome fixing plates.	-	100 x 155 x 70 mm	430 g
B 12 V	1 deep tone 430 Hz 100 dB (A)	13324	Flushmount horn in white ABS. Flushmount Ø 90 mm.	4.5 A	126 x 126 x 67 mm	420 g
C 12 V	-	418518	Chromed plastic + st. steel.	6 A	100 x 110 x 70 mm	400 g
D 12 V	1 sharp tone 490 Hz 108 dB (A)	10179	Electromagnetic. Chromed-plated. Supplied with st. steel bracket.	5 A	105 x 100 x 105 mm	500 g

Kill cords

On boats equipped with an engine remote control unit, Plastimo strongly recommends to have a second kill cord on board : in the event of a man over board, it is vital to be able to start the engine immediately for rescue manoeuvres.



Supplied with 7 hooks for engines :

- A - Mariner - Mercury
- B - Mariner - Suzuki - Johnson 4-stroke
- C - Tohatsu
- D - Honda - OMC
- E - OMC - Johnson Evinrude
- F - Yamaha
- G - OMC

Universal kill cord

64899
Universal coil kill cord with 7 hooks to match all major engine brands.

Kill cord for Outboard engine

27296

Dashboard mount emergency cut-off switch.

A quick pull on the cord stops the engine.

In case of a man overboard, just switch the toggle to start the engine.



Kill cord for Inboard engine

23745

Emergency cut-off switch with nylon cord and hook.

Cuts-off the power to the coil.



Spare cord : 27297

Engine start braid

High strength, polyester braided with 16-plait core. High friction resistance. Density : 1.38.

Ø mm	White/black	Break load	Length
3	417122	200 kg	200 m
4	417123	320 kg	
5	417124	400 kg	100 m
6	470001	590 kg	

Windscreen wipers



Windscreen wipers complete 175635

12 V wiper motor with chromed brass housing supplied with arm and 270 mm blade. Shaft diameter 9 mm, length 65 mm. 110° sweep.

Spare Parts

- **Wiper motor**
1 speed, length axe 63 mm
12V, 90° : **400478**
12V, 110° : **416789**
24V, 90° : **416790**

- **Arm : 400500**
Steel arm, mounting clips.
Length : 355 mm.
- **Blade : 400505**
St. steel wiper blade.
Length : 355 mm.

Hand wiper 43023

Supplied complete. Chrome-plated brass handle. St. steel arm adjustable from 190 to 280 mm. 280 mm st. steel wiper blade.

Standard wiper

- Sweep arc 90° : **13313**
- Sweep arc 180° : **17615**

Supplied complete. 12 V - 1-speed motor with 63 mm shaft. Self-parking. Entirely constructed from stainless steel. Arm adjustable from 180 to 280 mm. 280 mm wiper blade.

- **13314** : Spare st. steel 280 mm wiper blade.
- **13315** : Spare st. steel arm adjustable from 180 to 280 mm.



Windscreen wipers

	Description	Ref.	Length
A	Adjustable straight arm	472994	310/440 mm
	St. steel black	472993	480/610 mm
B	Adjustable pantograph arm - Black St. steel	472992	340/470 mm
		472991	480/610 mm
C	Black metal wiper blade for straight and curved glass	472989	305 mm
		472990	406 mm

Watertight windscreen wiper motor

Watertight windscreen wiper motor with white cover. Self-parking. Angle adjustable between 45° and 110°. Suitable for arms of up to 610 mm equipped with 560 mm blade.



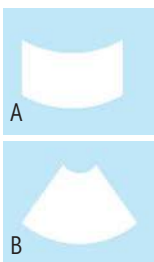
Ref.	Voltage	Length	Speed
472998	12 V	64 mm	2



Wiper motors

Self parking.

	Ref.	Voltage	Axis length	Speed	Adjustable sweep angle	Colour
A	400496	12 V	50 mm	2	83°, 100°, 110°, 120°	Black
	400497	24 V				
B	476214	12 V	38 mm	2	45°, 60°, 80°, 110°	White
	476215	24 V				



Wiper blades

	Ref.	Length	Model	For glass
A	400508	354 mm	Stainless steel	Straight
	415040	407 mm		
	422465	305 mm		
B	410608	355 mm	Synthetic black	Straight and curved
	410610	406 mm		
	410611	457 mm		
	410612	508 mm		
	410613	558 mm		

Arms

	Ref.	Model	Dimensions
A	415038	304 stainless steel arm	270 x 365 mm
B	404727	Pantograph	Panto 360 mm

Pilot seats

Bucket seats

Polyethylene seat 53299

UV-stabilised polyethylen with arm-rest.
Dimensions :
432 x 546 x 407 mm
(H x W x D).



Removable back and seat cushions 53298

Highly resistant white marine grade vinyl.
Quick drying.

Bucket seat 53302

PU foam with white marine grade vinyl finish.
Dimensions :
540 x 700 x 650 mm
(H x W x D).



Large seat

Nylon canvas seat cover 473761

Charcoal grey colour.
Max. dimensions :
height : 600 mm,
width : 500 mm,
depth : 450 mm.



Polyethylene seat 53300

UV-stabilised polyethylen.
With arm-rest and hand supports.
Dimensions :
432 x 483 x 407 mm
(H x W x D).



Leaning post with rigid tray 477660

Dimensions : 838 x 685 x 990 mm
(H x D x W).



Leaning post with flexible tray 477659

Dimensions : 838 x 685 x 990 mm
(H x D x W).



Option



Back rest : 477661

Suitable for leaning posts 477659 and 477660.

Stands in the fishing rod holders.

Leaning post kit ready to be mounted on your boat : can be used both as a pilot seat and a fishing bench with incorporated fishing rod holders.

- Small footprint (381 x 889 mm) allows installation at the stern of almost any open dayboat.
- Pivoting seat with storage drawer for fishing array.
- Adjustable foot rest.
- Accepts an ice-chest.
- Manufactured from anodised aluminium for lightweight.

Folding seats



Flip-up seat, stand-up/seating

53303

PU foam with white marine grade vinyl finish.

Front hinge converts the seat into :

- A lean-to position for optimum comfort.
- A flipped-up position for better visibility.

Thigh rest for the pilot when in the up position.

Dimensions : 530 x 570 x (470+50) mm (L x H x D).



Avenir pilot seat, stand-up/seating

White/blue : 477676

2-position ergonomic seat. A suspension system dampens shocks when under power. Dimensions : 630 x 610 x 610 mm. (L x H x D).



Folding seat

Vinyl upholstery.

Folding back.

Dimensions : 420 x 460 x 450 mm (L x H x D).

Colour	Ref.
White	53294
Beige	53295
Grey	53296
Navy blue	53297



Folding seat

Vinyl marine quality. Safety latch in closed position. Mounts on all swivels. Thickness 180 mm folded - Support swivel not included. Fixing 125 mm. Dimensions : 489 x 425 x 463 mm (L x H x D).

Colour	Ref.
White	428357
Blue	428360



Reversible back seat

53301

PU foam with white marine grade vinyl finish. Dimensions : 480 x 520 x 630 mm (L x H x D).



Side utility seat

53314

White vinyl.

Comes with gimbal for temporary or permanent wallpanel mounting. Dimensions : 340 x 430 mm (L x D).



Polyethylen folding seat

54830

Folding back. White marine grade vinyl upholstery. Dimensions : 510 x 360 x 530 mm (L x H x D). Compatible with pedestals ref. 53313, 54827 and seat mounts ref. 53309, 53310 and 54829.

Fixed complete seats on pedestals

Seats on pedestal

Anti-shock white polyethylene. White leather imitation cushions. Seat rotates through 360° and is adjustable in height 510/730 mm.



Telescopic pedestal, common to Captain & Admiral seats
413411

Anodised aluminium. Rotates through 360°, adjustable in height 400-600 mm. Enamelled base, Ø 240 mm. Tube Ø : 70-90 mm. Plate spacing : 135 x 135 mm.



Fixed Captain seat on pedestal

Description	Ref.
Complete Captain with pedestal and cushions	427366
Captain seat only	427398
Captain cushions only	427399
Complete pedestal	413411



Fixed Admiral seat on pedestal

Description	Ref.
Complete Admiral with pedestal and cushions	427365
Admiral seat only	427380
Admiral cushions only	427382
Complete pedestal	413411



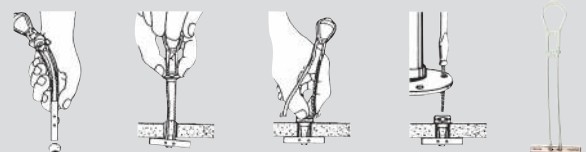
Deck plates for pedestals

Description	Ref.	For model
A Adjustable swivel plate with lock. Suitable for pedestal or deck mount.	54828	All models except folding seats ref. 53294 to 53297 and 54830.
B Steel swivelling clamp. For seat mount, adjustable width 230 to 510 mm.	54829	Folding seats ref. 53294 to 53297 and 54830.
C Aluminium swivel slide system with lock.	53308	All seats except folding seat ref. 53294 to 53297.
D Aluminium swivel seat mount with lock. (210 x 185 x 100 mm)	53309	Folding seat ref. 53294 to 53297.
E Aluminium swivel plate. (170 x 85 x 150 mm)	53310	For ref. 53308 - 53309 - 53312 - 53313.

GARELICK

Slider 405966

Front / back slide 190 mm and 360° rotation. 8 position blocking. Length : 216 mm - Width : 343 mm - Th. : 98 mm. Hole spacing : 125 - 140 / 130 - 310 mm.

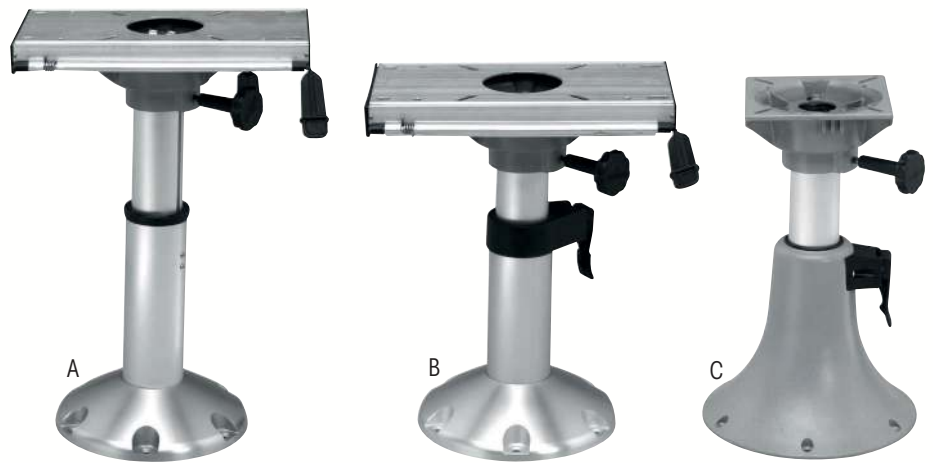


Fixing for seat pedestal

405948

304 st. steel system which enables pedestals to be bolted on when access under the deck isn't possible. Minimal space required : 48 mm. Gap Ø : 13 mm. Metric thread Ø : 6 mm.

Seat pedestals



Complete pedestals

Description	Ref.	Height	Ø Base	Ø Tube	For model
A Adjustable gas pedestal + slide swivelling plate with lock.	53311	From 390 to 520 mm	230 mm	60 mm	All models except folding seat ref. 53294 to 53297.
B Manual adjustable pedestal + slide swivelling plate with lock.	53312	From 340 to 430 mm	230 mm	60 mm	All models except folding seat ref. 53294 to 53297.
C Manual adjustable pedestal + swivelling plate with lock.	53313	From 330 to 440 mm	250 mm	60 mm	Folding seat ref. 53294 to 53297.



Stowable, through-deck mount

Description	Ref.	Height above deck	Overall height	Ø Base	Ø Tube	For model
D Aluminium stowable, through-deck mount pedestal. Aluminium swivelling plate with lock.	54827	450 mm	510 mm	230 mm	60 mm	Folding seats 53294 to 53297 and 54830.

Select your own pedestal

Select a base within the various possible heights and add a slide swivelling plate, or a swivel only.

Description	Ref.	Height	Ø Base	Ø Tube	Height pedestal + plate 53308	Height pedestal + plate 53309
E Aluminium base	53304	240 mm	230 mm	73 mm	275 mm	265 mm
	53305	340 mm	230 mm	73 mm	375 mm	365 mm
	53306	390 mm	230 mm	73 mm	425 mm	415 mm
	53307	470 mm	230 mm	73 mm	505 mm	495 mm



Fixed aluminium pedestal

Description	Ref.	Height	Ø Base	Ø Tube
F Ribbed anodised aluminium	471764	760 mm	229 mm	73 mm



Dress White



Ultra

Instruments

Function	Dress white	Ultra	Description	Cut-out Ø	Dial range	Options
Electronic rev-counter dial	64733	471794	Universal for all outboard engines 4, 6, 8, 10 and 12 poles	85 mm/3,37"	7000 rpm	
	471799	471793	For all 4, 6 and 8 cylinders inboard and I/O gas engines	85 mm/3,37"	6000 rpm	-
	471798	471792	For diesel engines	85 mm/3,37"	4000 rpm	
Speedometer	471795	64734	Speed indication - 30 knots	85 mm/3,37"	30 knots	471826 : Pitot sensor.
	471796	471790	Speed indication - 50 knots	85 mm/3,37"	50 knots	471827 : Pitot sensor with 6 m (20') of tubing.
	471797	471791	Speed indication - 70 knots	85 mm /3,37"	70 knots	64784 : 6 m (20') of tubing.
Fuel level gauge 10-180 Ohm	471816	471804	-	53 mm/2,07"	E - 1/2 - F	471825 : Adjustable fuel level sender from 20 to 60 cm (7,9" to 23,6").
Water level gauge 10-180 Ohm	471824	471812	-	53 mm/2,07"		
Voltmeter 12 V	471823	471881	For all 12 Volt electrical system	53 mm/2,07"	12 V	-
Hourmeter	64735	64736	12-32 Volt	53 mm/2,07"	-	-
Clock	471815	471803	Quartz analog	53 mm/2,07"	-	-
Rudder angle indicator	64737	64738	Indicates relative position or rudder	53 mm/2,07"	-	473654 : Rudder angle sender - single station. 473655 : Rudder angle sender - dual station. To use with Uflex rudder angle indicator only.
Trim gauge Requires sender for outboard and sterndrive engines	471820	471808	Mercury & Mariner outboard, Mercruiser, Volvo DP, 1996 & newer, Volvo & Yamaha EST sterndrive	53 mm/2,07"	Up - Down	-
	471821	471809	OMC outboard Johnson & Evinrude			
	471822	471810	Yamaha & Evinrude Yamaha outboard 1997 & newer			
Electronic fluxgate compass	64739	64740	Auto compensation. Easy to install and read in all weather condition. Includes : remote mounted sensor with 20' plug in harness, instruction manual and mounting hardware.	53 mm/2,07"	-	-



Electric sending units

Impedance	10-180 Ohm
185 mm	62049
200 mm	61999
250 mm	62000
270 mm	62001

Impedance	10-180 Ohm
280 mm	62047
300 mm	62002
390 mm	62003

Control box – control cable application matrix

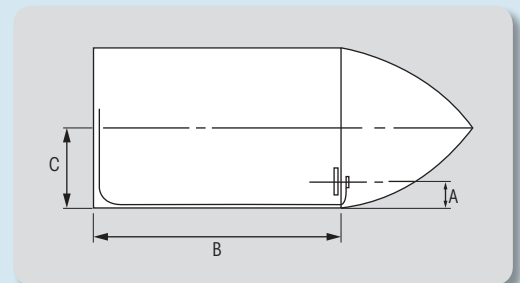
Model	B400	B183 – B184 – B85	B301 – B302	B103	B104	B89- B90
C2	X	X	K59*	X	X	X
C8	X	X	K59*	X	X	X
C14	-	X	X	-	-	K51
C5	-	K35	K60	-	-	K35
C36	-	-	K62	-	-	-
C16	-	K35	K60	-	-	K35
C22	-	-	K61	K33	-	-
MACHZero	X	X	K59*	X	X	X
MACH5	-	K35	K60	-	-	K35
MACH36	-	-	K62	-	-	-
MACH14	-	X	X	-	-	K51

*Supplied with the control box.
X : no kit required.

How to measure the engine control cable ?

For new installation, measure cable routing path from control head attachment point to engine (A + B + C) and add 15 cm.

To determine the length needed when replacing the cable : measure it from tip to tip, add 45 cm and round up to the next foot.



Metres	1.52	1.82	2.13	2.43	2.74	3.04	3.35	3.65	3.96	4.26	4.57	4.87	5.18
Feet	5	6	7	8	9	10	11	12	13	14	15	16	17

	Engine	Ultraflex engine control cable
Outboard	Mercury / Mariner above 37 kW (50 hp)	C5 – MACH5
	Force / Selva / Yamaha / Suzuki / Tohatsu / Honda / Nissan	C8 – MACHZero
	Johnson / Evinrude / BRP	After 1979 C14
Sterndrive	Mer cruiser	C5 – MACH5
	OMC / BRP	After 1979 C14
	Volvo Penta / Yanmar / Volkswagen	C8 – MACHZero
Inboard	-	C8 – MACHZero

Polyester braided sleeves

Monofilament polyester, black. Length : 20 m.
Compliant with RoHS 2002/95/CE specifications.

- Temperature class : F
- Continuous working temperature : -50°+155° with peaks at +180°
- Halogene free
- Flammability : self-extinguishing
- Good mechanical resistance
- Excellent resistance to abrasion
- Good resistance to solvent
- Non watertight
- Very flexible
- Expansion rating : from 1 to 2
- Cut with a solder iron to avoid fraying

Ref.	Nominal internal Ø	Ultraflex reference
64745	10 mm (0.39")	68146 N
64746	15 mm (0.59")	68147 R
64747	20 mm (0.78")	68148 T
64748	25 mm (0.98")	68149 V
64749	30 mm (1.18")	68150 D



Steering

Steering helms

ULTRAFLEX

Comply with EN 29775 & ABYC P17 standards.

Ideal in restricted areas.



T 67 steering helm

416756

Standard steering helm in Stainless steel with a friction externally adjustable. For outboard boats up to 55 CV (40 kW)*. Steering wheel and cable not included.

- 90° built-in holder.
- Number of rotations : 2.5.
- Stroke : 230 mm / 9".
- Max. steering wheel Ø : 380 mm / 15".
- Minimum curve radius : 200 mm / 7.9".
- 3/4" conical axis.
- Compatible with the M58 cable (optional).

*Excepted for EVINRUDE E-TEC 50 engine, it's recommended to use a T85 or T71FC steering helm.



T 85 steering helm

429440

Standard steering helm in Stainless steel with a friction externally adjustable. For outboard, inboard & sterndrive boats up to 300 CV (221 kW). Do not use on boats equipped with engines that exceed the maximum horsepower rating of the boat. Steering wheel and cable not included.

- 90° built-in holder.
- Number of rotations : 3.
- Stroke : 228 mm / 9".
- Max. steering wheel Ø : 406 mm / 16".
- Minimum curve radius : 200 mm / 7.9".
- 3/4" conical axis.
- Compatible with the M66 cable (optional).



T 71FC steering helm

416539

Compact steering helm in Stainless steel, featuring planetary gear design. For inboard & Z-drive boats up to 10.50 m or outboard up to 235 CV. Suitable for restricted areas. Steering wheel, cable and cover not included.

- Number of rotations : 3.8.
- Stroke : 228 mm / 9".
- Max. steering wheel Ø : 406 mm / 16".
- Minimum curve radius : 200 mm / 7.9".
- 3/4" conical axis.
- Compatible with the M66 cable (optional).



T 73NRFC steering helm

64722

Steering helm in Stainless steel, featuring planetary gear design. For inboard boats up to 10.5 m or outboard boats up to 9 m. Steering wheel, cable and cover not included.

- Number of rotations : 3.8.
- Stroke : 228 mm / 9".
- Max. steering wheel Ø : 406 mm / 16".
- Minimum curve radius : 200 mm / 7.9".
- 3/4" conical axis.
- Compatible with the M66 cable (optional).

For T 71FC, T 73NRFC & T 91 steering helms : do not use on boats equipped with engines that exceed the maximum horsepower rating of the boat. For faster boats, higher than 80.5/h (50 mph), hydraulic systems are recommended.



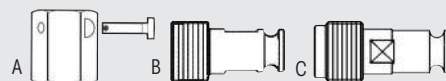
T 91 steering helm

64723

Steering helm in Stainless steel, featuring planetary gear design. For high performance and high efficiency applications. For outboard boats up to 9 m, inboard up to 10.5 m & sterndrive. Steering wheel, cable and cover not included.

- Number of rotations : 4.2.
- Stroke : 228 mm / 9".
- Max. steering wheel Ø : 406 mm / 16".
- Minimum curve radius : 200 mm / 7.9".
- 3/4" conical axis.
- Compatible with the M90 cable (optional).

Adapters



Model	Ref.	For cable
-	K55 423255	M58 cable on Morse steering systems pre-january 1995.
A	K66 416612	M66 cable on former Ultraflex steering systems : T55, T71, T72, T73NR, T74NR, T81, T82, T83NR, T84NR.
B	K46 423235	M47 cable on Ultraflex steering systems : T85, T71FC, T72FC, T73NRFC, T74NRFC, T81FC, T82FC, T83NRFC, T84NRFC.
C	K54 423256	M47 cable on TFX steering systems : 806TX.

Accessories



X 34



X 35

Steering supports

Black, supplied with fastening nut and pin.

Model	Ref.	Description
X 34	405900	90° base
X 35	405898	20° tilted base

Engine connection kits



Model	Ref.	Description
A73SS	401684	Stainless steel tiller arm for some Mercury engines.
A74SS	64728	Stainless steel tiller arm for some Johnson, Evinrude, BRP engines.
A75	415989	Clevis.

Steering cable supports



Model	Ref.	Description
S39	64724	Clamp block in marine aluminium and stainless steel.
S40	64725	Splashwell mounting, corrosion resistant.
S55	412507	90° rudder support, corrosion resistant.
S61	64726	Clamp block, corrosion resistant painted steel.
S62	64727	Clamp block, corrosion resistant painted steel. Same design as S61, smaller dimensions.

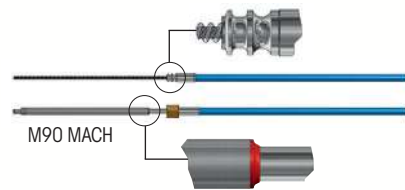
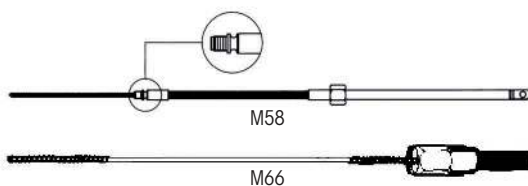


Cable bellows

Shift cable rubber bellows, black.

Model	Ref.	Description
R1B	64729	Ø 152 mm (6") / h : 110 mm (4,3"). Screwed, for steering cable.
R2B	64730	Ø 105 mm (4,1") / h : 65 mm (2,5"). Screwed, for steering cable.
R3B	64731	2 holes Ø 105 mm (4,1") / h : 52 mm (2"). Screwed, for engine cable & reverser.
R4B	64732	Ajustable Ø 105 mm (4,1") / h : 68 mm (2,6"). Screwed, wiring harness.

Steering cables







Model	For Ultraflex steerings	For other steerings	Cable length						
			8'	9'	10'	11'	12'	13'	14'
M58	T 67	C230 and C231 Morse / Compac-T / Teleflex / 805TX	416760	417294	416761	400665	416762	416763	416764
M66	T 85 / T 71FC / T 72FC / T 73NRFC / T 74NRFC / T 81FC / T 83NRFC	Safe T QC / NFB Safe-TII / NFB 4.2 / Teleflex / D290 Morse	429441	429442	429443	429444	429445	429446	429447
M90 MACH	T 91 / T 93ZT / T 101 / T 103ZT / T 85 / T 71FC / T 72FC / T 73NRFC / T 74NRFC / T 81FC / T 83NRFC	Safe T QC / NFB Safe TII / NFB 4.2 / Teleflex / D290 Morse	64699	64700	64701	64702	64703	64704	64705
Model	For Ultraflex steerings	For other steerings	15'	16'	17'	18'	19'	20'	21'
M58	T 67	C230 and C231 Morse / Compac-T / Teleflex / 805TX	416765	416766	419285	416767	418625	-	-
M66	T 85 / T 71FC / T 72FC / T 73NRFC / T 74NRFC / T 81FC / T 83NRFC	Safe T QC / NFB Safe-TII / NFB 4.2 / Teleflex / D290 Morse	408964	408965	408966	408967	408968	408969	408970
M90 MACH	T 91 / T 93ZT / T 101 / T 103ZT / T 85 / T 71FC / T 72FC / T 73NRFC / T 74NRFC / T 81FC / T 83NRFC	Safe T QC / NFB Safe TII / NFB 4.2 / Teleflex / D290 Morse	64706	64707	64708	64709	64710	64711	64712

Hydraulic steering systems



Hydraulic steering system kits

Model	Ref.	Contents	Wheel turns	Options
 <p>GOTECH-OBF up to 115 HP</p>	64713	- Helm - UP18 - Cylinder - UC81-OBF - Flex hoses : Kit - OB-GT/M-60 - 2 L of oil.	4.5	Steering wheel (see pages 504-505). 64718 : bulkhead hose kit - R5. 64719 : bulkhead hose kit - R5SS. 64720 : dual thru-hull hose kit - R8B, black.
 <p>HYCO-OBF/M up to 150 HP</p>	64714	- Helm - UP20F - Cylinder - C94-OBF - Flex hoses : Kit - OB/M-90 - 2 L of oil.	4.7	Steering wheel (see pages 504-505). 64716 : square flange - X64. 64718 : bulkhead hose kit - R5. 64719 : bulkhead hose kit - R5SS. 64720 : dual thru-hull hose kit - R8B, black.
 <p>NAUTECH-3.1/M-90 up to 300 HP*</p>	64715	- Helm - UP25F - Cylinder - UC128-OBF - Flex hoses : Kit - OB/M-90 - 2 L of oil.	4.8	Steering wheel (see pages 504-505). 64716 : square flange - X64. 64717 : round flange - X57. 64718 : bulkhead hose kit - R5. 64719 : bulkhead hose kit - R5SS. 64720 : dual thru-hull hose kit - R8B, black.
 <p>NAUTECH-3.2/M-90 Up to 300 HP*</p>	64964	- Helm - UP25F - Cylinder UC128-OBF/2 - Flex hoses : Kit OB/M-90. - 2 L of oil.	4.8	64721 : tie bar - A94.

* Up to 300 HP with 1 motor or Up to 500 HP with 2 motors in reverse rotation.

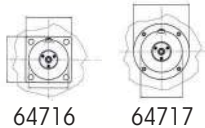
* Up to 300 HP with 1 motor or Up to 500 HP with 2 motors in reverse rotation.

Accessories

• Flanges

Permit to install the pump in an intermediate dashboard position.

Square flange - X64 : 64716
Round flange - X57 : 64717



• Dual thru-hull hose kit, black - R8B : 64720



• Bulkhead strain relief hose kits

It features a water tight gripper fitting & a bulkhead fitting flange for hose protection.

Bulkhead hose kit - R5 : 64718
Bulkhead hose kit - R5SS, with stainless steel flange : 64719

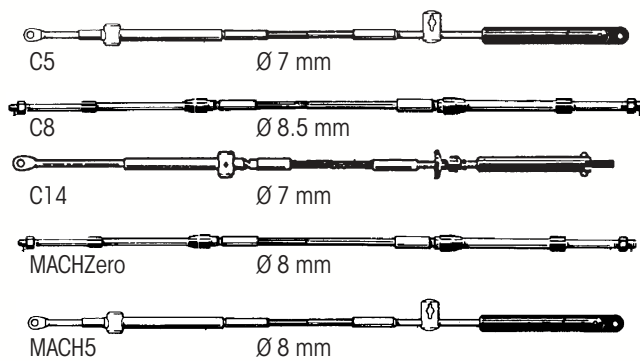


• Tie bar - A94 : 64721

Max. 500 HP with 1 cylinder / motors in reverse rotation ;
 Max. 300 HP with 1 cylinder / motors with the same rotation.

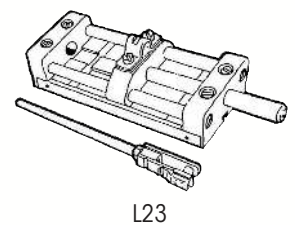
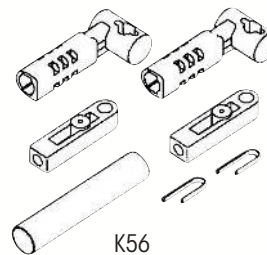
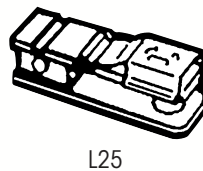
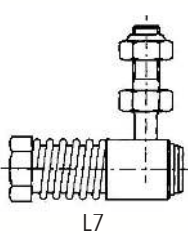


Engine control cables



Model	Stroke	Description
C5	95 mm / 3.75"	For Mercury & Mercruiser engines.
C8	87 mm / 3.4"	For inboard, sterndrive & outboard, with appropriate accessories
C14	75 mm / 3"	For BRP-Evinrude (OMC) engines, since 1979.
MACHZero	87 mm / 3.4"	For inboard, sterndrive & outboard. For professional or intensive use. Ideal for long complex cable routings.
MACH5	95 mm / 3.75"	High performance, for Mercury & Mercruiser engines.

Model	Length													
	6'	7'	8'	9'	10'	11'	12'	13'	14'	15'	16'	17'	18'	
	1.83 m	2.13 m	2.44 m	2.74 m	3.05 m	3.35 m	3.66 m	3.96 m	4.27 m	4.57 m	4.88 m	5.18 m	5.49 m	
C5	409398	412799	409399	409400	409401	413401	409402	413402	409403	414361	424061	424062	424063	
C8	-	470752	419633	421730	419635	419636	419637	419638	421731	419641	421785	421786	421859	
C14	409404	413400	409405	409406	409407	409408	409409	409410	409411	416221	416222	416223	-	
MACHZero	-	471158	471159	471160	471161	471162	471163	471164	471165	471166	471167	471168	471169	
MACH5	-	473052	473053	473054	473055	473056	473057	473058	473059	473060	473061	473062	-	
Model	19'	20'	21'	22'	23'	24'	25'	26'	27'	28'	29'	30'		
	5.79 m	6.10 m	6.40 m	6.71 m	7.01 m	7.32 m	7.62 m	7.92 m	8.23 m	8.53 m	8.84 m	9.14 m		
C5	-	-	-	-	-	-	-	-	-	-	-	-	-	
C8	419644	421732	421860	419647	421733	419649	421861	421862	421863	418583	424089	470755		
C14	-	-	-	-	-	-	-	-	-	-	-	-	-	
MACHZero	471170	416574	416614	416615	416616	416624	416626	416630	416576	416635	416647	416649		
MACH5	-	-	-	-	-	-	-	-	-	-	-	-	-	



Accessories for engine control cables

Model	Ref.	Description
L7	414193	Ball joint 10-32 UNF. Stainless steel, fits C2, C8 and MACHZero cables.
L12	426052	Cable end fitting.
L14	420055	Cable clamp block. Fits C2, C8 and MACHZero cables.
L25	426541	Clevis 10-32 UNF. Fits C2, C8 and MACHZero cables.
K56	470699	Adapts C2, C8 and MACHZero cables for use with Mercury engines.
L23	422666	Selector unit for use with single lever controls in dual station applications.

Control systems

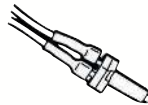


B89-B90 control systems Bulkhead-mounted

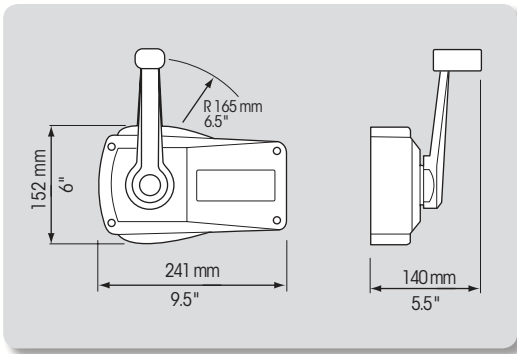
For inboard, sterndrive or outboard boats. Single lever double action controls, can be installed horizontally or vertically, on the starboard or port side of the boat. Made of painted marine aluminum. By pulling the lever boss in neutral position the throttle can be driven without engaging the clutch. Security device enabling the reverse switch to be operated only when the accelerator is idling.

Model	Ref.
B89 white control system	414031
B90 black control system	414032
K51 - cable : C14. For Evinrude (since 1979) & Johnson engines.	403774
K35 - cable : C5 - MACH5. For Mercury engines.	403773

Option



• **X12 safety micro-switch. 400711**
Enables engine to be started in neutral only.

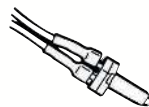


B183-B184 control systems Bulkhead-mounted

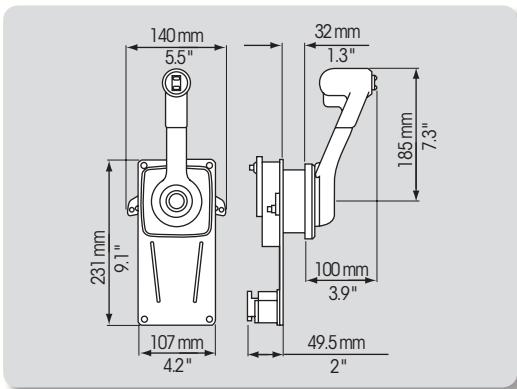
For all brands of inboard and outboard engines. Single lever double action controls, can be installed horizontally or vertically, on the starboard or port side of the boat. Made of painted marine aluminum. By pulling the lever boss in neutral position the throttle can be driven without engaging the clutch. Security device enabling the reverse switch to be operated only when the accelerator is idling. Pull-out handle disengages shift for warm-up, friction adjustable externally. The control systems work with all cables except for C22, C36 and MACH36. For cables C5, C16 and MACH5 use kit K35 (403773).

Model	Ref.
A B183 control system with manual neutral position - black.	416557
B B184 control system with manual neutral position & trim - black.	416563
K35 - for C5, C16 & MACH5 cables	403773

Option



• **X12 safety micro-switch. 400711**
Enables engine to be started in neutral only.



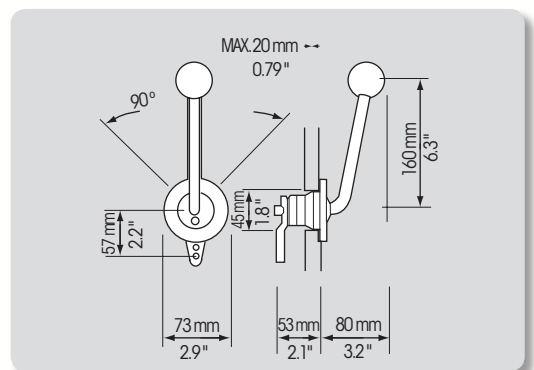
B35 control system Single-lever

416176

St. steel single-lever for reverse switch or accelerator. For C2, C8 & MACHZero cables. Adjustable brake tension. Supplied with built-in friction to avoid throttle creep and spring-loaded ball in reverse position.

Option

• **Screw kit. 411086**





B103

B104

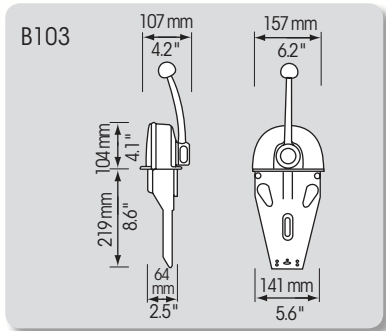
B103-B104 control systems Console-mounted

For inboard, sterndrive or outboard boats.

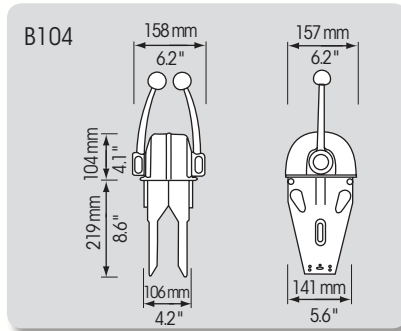
Dual-function lever (reverse gear and accelerator) with friction brake. Made of painted marine aluminum.

Security device enabling the reverse switch to be operated only when the accelerator is idling.

Model	Ref.
B103 control system - Single-lever	64741
B104 control system - Twin-lever	423891



B103



B104

Option

- X43 safety micro-switch. **410959**



B301CR

B302CR

B301CR - B302CR control systems Console-mounted

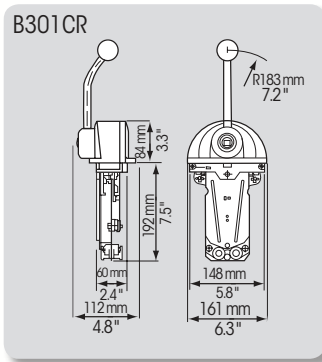
For inboard, sterndrive or outboard boats.

Dual-function lever (reverse gear and accelerator) with friction brake. Made of painted marine aluminum.

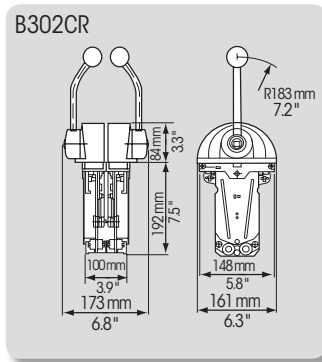
Low profile style and compact single lever control.

Security device enabling the reverse switch to be operated only when the accelerator is idling.

Model	Ref.
B301CR control system - Single-lever	64742
B302CR control system - Twin-lever	64743
K60 - for cables : C5, C16 & MACH5	64844

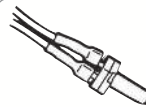


B301CR



B302CR

Option



- X12 safety micro-switch. Enables engine to be started in neutral only. **400711**



B 400 control system Single lever

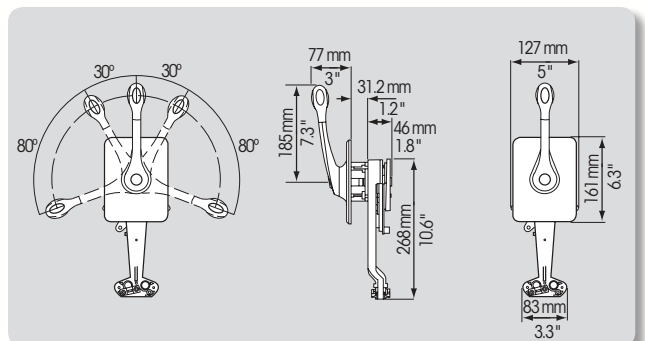
64744

316 stainless steel lever and flange for a better resistance in the marine environment.

Control system available in mechanical or hybrid version (patented). Provided with a brake tension release system, easily adjustable.

Security device enabling the reverse switch to be operated only when the accelerator is idling. Can be installed horizontally or vertically. X41 safety micro-switch included.

Spare part : X41 safety micro-switch. Enables engine to be started in neutral only. IP67. **64843**



Steering wheels

ULTRAFLEX



V20



V32



V33



V38



V57



V60



V61



V67



V70

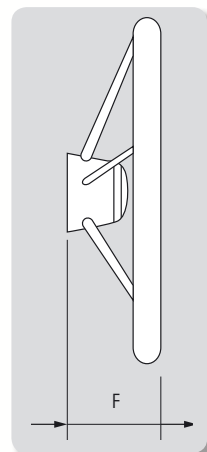


V89

Steering wheels

3/4" bore. Hub included.
Meet with the EN 28848 & ABYC P22 standards.

Model	Ref.	Description	Ø	Flaring - F	Colour
V20	64750	Polyurethane grip	350 mm/13.8"	67 mm/2.64"	
V32	64751	Unbreakable thermoplastic	335 mm/13.2"	92 mm/3.62"	
V33	416628	Unbreakable thermoplastic	342 mm/13.4"	105 mm/4.1"	Black
V38	403797	Grained thermoplastic & polyurethane	350 mm/13.8"	85 mm/3.3"	
V57	415968	5 st. steel spokes, polyurethane sheath	350 mm/13.8"	76 mm/3"	White
V60	416609	Grained thermoplastic & polyurethane	350 mm/13.8"	85 mm/3.3"	
V61	472548	Wooden grip	350 mm/13.8"	85 mm/3.3"	Mahogany & black
V67	64752	5 st. steel spokes	400 mm/15.7"	100 mm/3.9"	Mahogany
V70	64753	5 st. steel spokes, polyurethane grip	350 mm/13.8"	90 mm/3.5"	Black
V89	64754	Captain's wheel, 5 st. steel spokes	500 mm/19.6"	-	St. steel & mahogany





MOROSINI B/CH



SANTORINI B/S



TAVOLARA B/S



BUDELLI CH/P



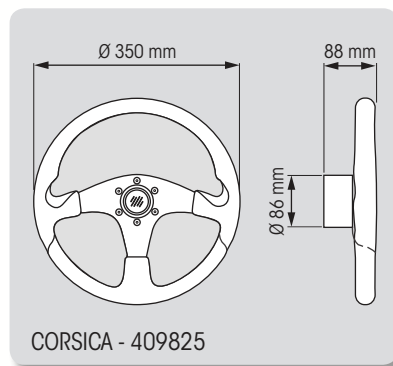
CORSICA BR/B

Steering wheels

¾" bore. Steering wheel Ø : 350 mm/13.8".

Hub ref. 416683 is necessary as an extra accessory to mount these wheels (Except for the MOROSINI B/CH model). Meet with the EN 28848 & ABYC P22 standards.

Model	Ref.	Description	Colour
MOROSINI B/CH	64758	Leather grip. Chromed hub included.	Black
SANTORINI B/S	64755	Polyurethane grip. Silver inserts and spokes.	
TAVOLARA B/S	64756	Polyurethane grip and silver spokes.	Silver and black
BUDELLI CH/P	64757	Polyurethane grip. Chromed inserts and polished spokes.	
CORSICA BR/B	409825	Mahogany imitation sheath & black spokes.	Mahogany & black



Accessory



• Hub Ø 85 mm
416683

Steering wheel knobs



Description	Ref.	Height	Wheel rim
Strap-type st. steel wheel knob, Ø 38 mm	A 56087	40 mm	20 x 25 mm max.
Strap-type st. steel wheel knob, Ø 44 mm	B 56088	48 mm	20 x 25 mm max.



Trim tabs



Manual trim tabs

316 stainless steel. Composed of :

- 2 stainless steel trim plates.
- Manual control cylinders.

CAUTION
In all cases, it is necessary to order : 1 pair of trim plates + a pair of manual control cylinders.

Description	Ref.	Flap dimensions A x B	Out-board	In-board
Trim tabs (pair)	38916	250 x 200 mm	4.5 - 6.50 m	5 - 6 m
	38917	250 x 285 mm	6 - 7.50 m	6 - 7 m
	38918	250 x 370 mm	7 - 9 m	7 - 9 m
	38919	250 x 450 mm	8 - 10.50 m	8 - 10.50 m
Manual control cylinders (sold in pairs)	38922	-	-	-



Hydro-Stabiliser

Puts the boat on plane faster. It also allows the boat to stay on plane even at a lower speed, so that fuel consumption is decreased. Designed to fit all outboard motors.

Description	Ref.
Until 50 HP	27518
Over 50 HP	27519

Rope cutter

Rope cutter

Easy to install, it cuts Nylon, Kevlar ropes as well as small diameter stainless steel cables (4 - 6 mm). Manufactured from high quality stainless steel, the rope cutter is highly resistant.

Ref.	Ø	Ext. Ø	Thickness
24708	25 mm	79 mm	18 mm
24709	25,40 mm / 1"	79 mm	18 mm
24711	30 mm	79 mm	18 mm
24714	35 mm	100 mm	18 mm
24716	40 mm	100 mm	18 mm
24718	45 mm	120 mm	18 mm
24719	50 mm	120 mm	18 mm
24720	50,80 mm / 2"	120 mm	18 mm



TwinFast rope cutter

The TwinFast rope cutter is split in two halves allowing quick and easy installation without removing the propeller.

It is equally easy to dismantle the rope cutter when removing the propeller or when space between the propeller, bracket and stern tube is limited for maintenance operation.

TwinFast **contributes to safety** by instantly slicing through debris and all types of rope including Kevlar and Dyneema.

Cable : depending on engine capacity, TwinFast will cut through small diameter cable. However in that case we recommend to replace the rope cutter, as the cable damages the serrated cutter and reduces the performance of the product.

316L stainless steel: easy to clean with a high-pressure washer.

TwinFast package features :

- Threadlocking fluid to prevent loosening of the fixing screws as a result of vibration.
- 2 half protective covers.
- Allen key.

Ref.	Ø	Ext. Ø	Thickness
476566	22 mm	80 mm	18 mm
476567	25 mm	80 mm	18 mm
476568	30 mm	80 mm	18 mm
56219	31,75 mm / 1-1/4"	100 mm	17,5 mm
56222	35 mm	100 mm	17,5 mm
56224	40 mm	100 mm	17,5 mm
56226	45 mm	120 mm	17,5 mm
56227	50 mm	120 mm	17,5 mm



Fixed fuel tanks



Meet 94/25/CE directive,
as amended
by directive 2003/44/CE.

Fuel tanks

Tanks in high density polyethylene.
Supplied with a polyamide multi-purpose plate.

Plate features :

- A 1" ½ fuel inlet (comes as standard with a vent cap).
- A pickup fitting for hose Ø 7-9 mm (¼" thread).
- A vent outlet for hose Ø 17-19 mm (¾" thread)
- A flange for an electric or mechanical sending unit (available as option).
- An additional ¼" threaded hole for a diesel return or a second pickup fitting.



61191



27268



With partition

476084



31474

Cap.	Ref.	Dimensions (L x W x H) mm	Options		
			Electric sending unit 10-180 Ohm	240-30 Ohm	Mechanical gauge
33 L	27268	500 x 350 x 230			
43 L	27269	650 x 350 x 230	61999	62004	27272
53 L	27270	800 x 350 x 230			
70 L	61990	800 x 400 x 280			
84 L	61991	950 x 400 x 280	62001	62006	27271
96 L	61992	1100 x 400 x 280			
42 L	61987	500 x 350 x 300			
55 L	61988	650 x 350 x 300	62047	62048	62011
70 L	61989	800 x 350 x 300			
102 L	61993	800 x 400 x 400			
120 L	61994	950 x 400 x 400	62003	62008	428721
140 L	475343	1100 x 400 x 400			

Model	Capacity	Ref.	Dimensions (L x W x H)	Options		
				Electric sending unit 10-180 Ohm	240-30 Ohm	Mechanical gauge
Horizontal fuel tank with partition	62 L	476084	660 x 410 x 300 (+ 30 mm*)	62047	62048	-
	62 L	31474	660 x 300 x 410 (+ 30 mm*)	62003	62008	428721
Vertical fuel tanks	91 L	31475	910 x 300 x 410 (+ 30 mm*)	62003	62008	428721

*Connectors height.

Options & Accessories



12 V electric gauge
10-180 Ohm : 62009
240-30 Ohm : 62010

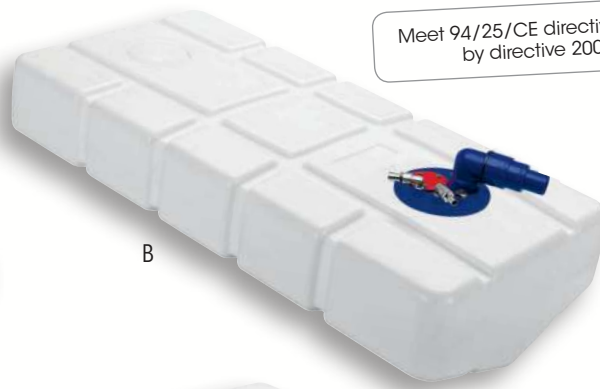


Spare plate
36914

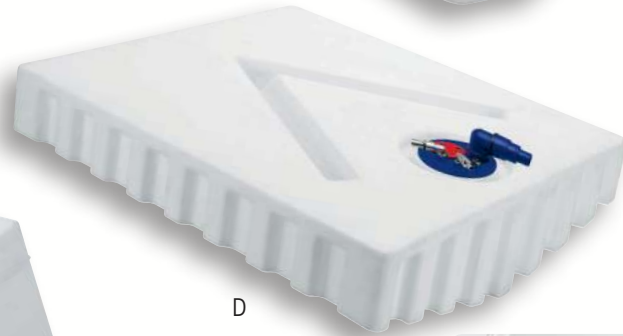
Meet 94/25/CE directive, as amended by directive 2003/44/CE.



A



B



D



C



V-type



Plate

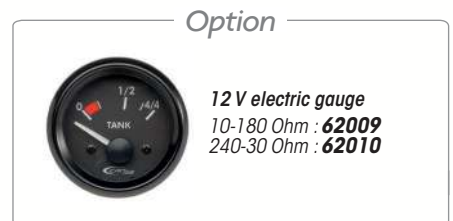
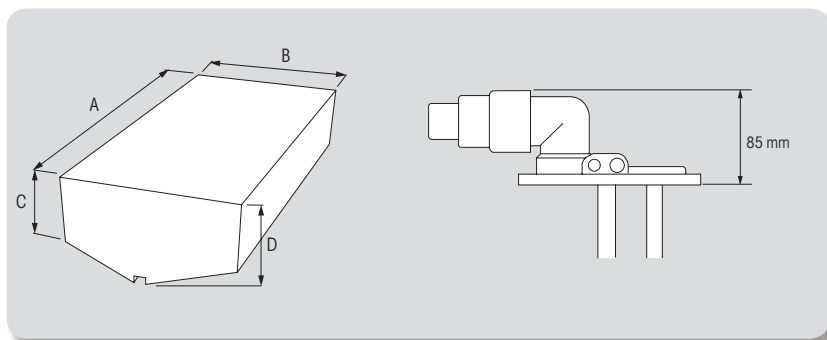
Special large tanks

Tanks made in high density polyethylene.

Feature a multi-purpose plate including :

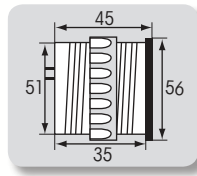
- A 1 1/2" fuel inlet with a 90° elbow fitting and a straight connector for hose Ø 38/50/60 mm.
- Two metal fittings for hose Ø 10 mm (1/4" male threaded).
- A flange for an electric or mechanical sending unit (available as option).
- An additional 1/4" threaded hole for a diesel return or a second pickup fitting.
- Two metal stoppers (1/4" male threaded).

Model	Capacity	Ref.	A	B	C	D	Option : electric sending unit	
							10-180 Ohm	240-30 Ohm
Flat-bottom	A 140 L	61995	890 mm	820 mm	-	260 mm	61999	62004
	B 86 L	61996	1070 mm	500 mm	150 mm	230 mm	61999	62004
V-type	C 190 L	61997	1230 mm	570 mm	290 mm	330 mm	62002	62007
	D 198 L	61998	1100 mm	1000 mm	165 mm	262 mm	62000	62005



Accessories & spare parts

12 V electric gauges



Impedance	Ref.	
10-180 Ohm	62009	CE
240-30 Ohm	62010	UL SP

Electric sending units CE



Impedance	10-180 Ohm	240-30 Ohm
185 mm	62049	62050
200 mm	61999	62004
250 mm	62000	62005
270 mm	62001	62006
280 mm	62047	62048
300 mm	62002	62007
390 mm	62003	62008



Fittings

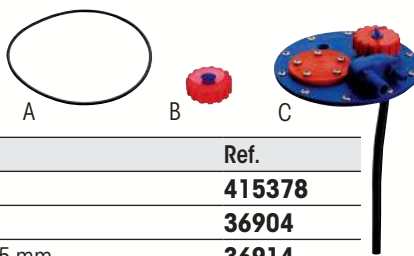
	Description	Ref.	Thread Ø	Hose Ø
A	Set including a 90° inlet connector and a straight connector for hose Ø 38/50/60 mm.	27280	1 1/2"	38/50/60 mm
B	Inlet elbow fitting, 360° swivelling.	62013	1 1/2"	38 mm
C	90° fuel fill or return.	27276	Mâle 1/4"	10 mm
D	Vent, 3/8" male.	27278	Mâle 3/8"	19 mm
E	Fuel fill or return.	476080	Mâle 1/4"	10 mm



Mechanical gauges

Length	Ref.
220 mm	27272
270 mm	27271
290 mm	62011
400 mm	428721

Spare parts



Description	Ref.
A Plate gasket	415378
B Vent cap	36904
C Support plate Ø 175 mm	36914



Hold-down kits

Description	Ref.
A Set including 2 straps with buckle and 4 polyamide hold-down clamps.	27871
B Set of 4 supports and strap.	476094

Portable fuel tanks

Fuel jerrycans



Jerrycans with spout

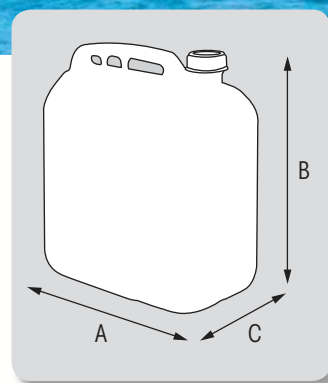
Manufactured in high density polyethylene. Increased stability due to large base dimensions. Supplied with spout. The 5 and 10 L models are equipped with a flexible screw-on spout and a directly reading gauge.



A flexible spout to prevent leaks.

ADR approved (transportation of hazardous materials).

	Capacity	Ref.	A	B	C
A	5 L	62014	270 mm	250 mm	140 mm
B	10 L	62015	310 mm	280 mm	190 mm
C	20 L	62016	350 mm	380 mm	190 mm



W. Borel ©

Plastic fuel jerrycans

Capacity	Ref.	Dimensions (L x W x H)
5 L	418505	340 x 180 x 210 mm
10 L	418506	320 x 180 x 340 mm
20 L	418507	380 x 250 x 390 mm



Diesel jerrycan 29448

Manufactured from polyethylene. Supplied with caps and chains.

Capacity : 20 litres.
Length : 340 mm.
Height : 470 mm.
Width : 180 mm.



Jerrycan/tank 27264

Manufactured in high density polyethylene. Can be used as a tank and receive a primer bulb with tube for motor connection. Easy-to-read tank level indication on the tank side.

Capacity: 22 litres.
Reserve fuel area: 2 litres.
Length : 330 mm
Height : 405 mm
Width : 240 mm.

Spare cap : **11557**



Fuel tanks

Fuel tanks for horizontal or vertical use

Fuel tanks

Made in polyethylene.

A reserve fuel area is designed right into the tank by means of a partitioned bottom. When gauge registers empty, simply tilt the tank and the reserve fuel supply becomes available.

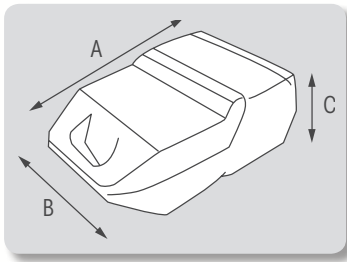
The 22-litre model features a direct sight level indication (when the fuel tank is in vertical position).
Delivered with vent cap and outlet fitting.

CE



	Total capacity	Reserve fuel area	Ref.	A	B	C	Level indication
A	12 L	1 L	10630	410 mm	260 mm	190 mm	-
B	22 L*	2 L	10631	550 mm	330 mm	230 mm	✓

*Accepts the cap with built in mechanical direct sight gauge (ref. 11559).



CE



	Total capacity	Reserve fuel area	Ref.	A	B	C	Level indication
A	12 L	2 L	44803	400 mm	200 mm	170 mm	-
	24 L*	3 L	44804	460 mm	340 mm	230 mm	✓
B	29 L*	3 L	44805	510 mm	365 mm	230 mm	✓

*Accepts the cap with built in mechanical direct sight gauge (ref. 11559).

Fuel tanks

Made in polyethylene.

The 22 and 29-litre models feature a direct sight level indication.

Delivered with vent cap and outlet fitting.

Accessories



Cap with built-in gauge for fuel tanks

11559

Cap featuring a mechanical direct sight gauge. A must-have accessory to know the level of fuel at all times.
Length : 210 mm.



Vent cap
11557

Funnels



Funnels

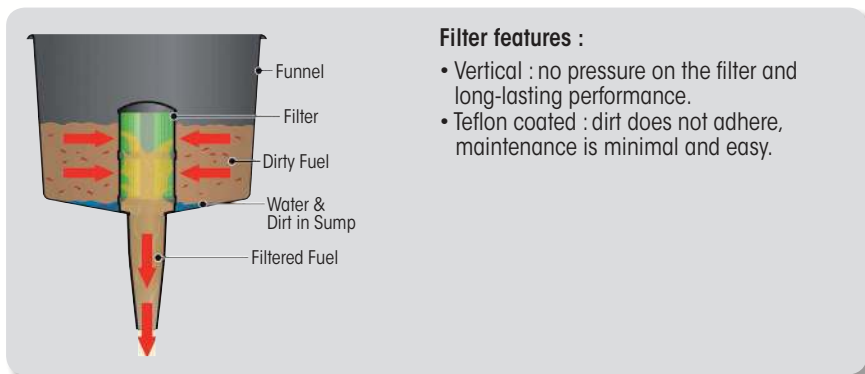
Model	Ref.	Description	With filter	Bowl inside dimensions
A Anti-rolling funnel	403795	Plastic. Comes with 2 flexible spouts, interchangeable.	✓	Ø 16 cm.
B Anti-rolling funnel	27480	Translucent plastic.	✓	Ø 24 cm.
C Funnel	10751	Polyethylene. Suitable for diesel or petrol.	✓	26 x 17 cm



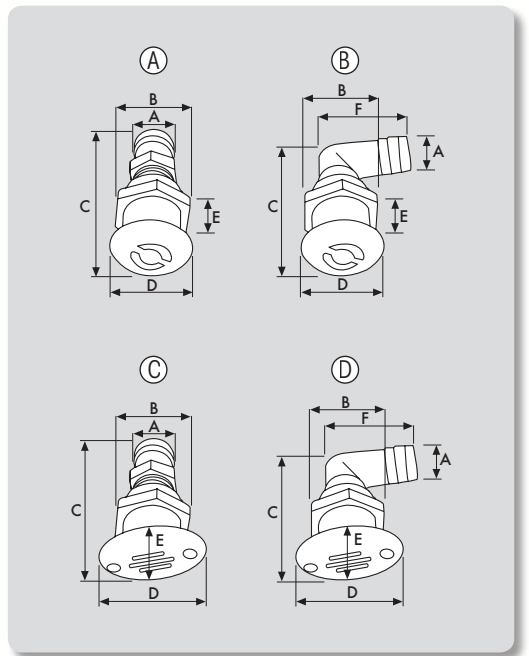
Funnel with separator filter

"Mr Funnel" built-in filter is designed to filter out water, dirt and debris from most fuels (including gasoline, diesel, heating oil and kerosene). Black model is conductive and can be grounded.

Capacity	Ref.	Ø	Height
13 L/min	61847	14 cm	23 cm
19 L/min	61891	22 cm	25 cm



Fuel vents



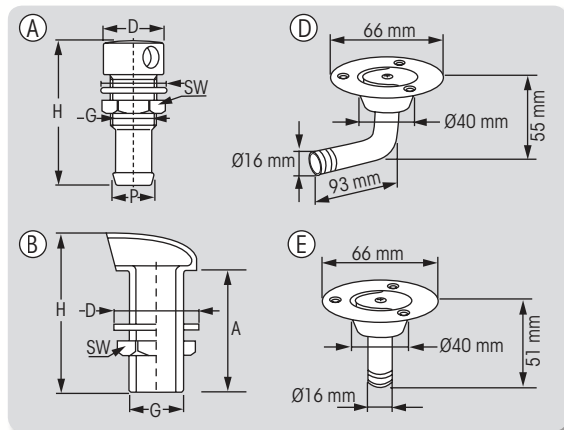
Plastic vents

Model	Ref.	Description	A	Drill Ø	B	C	D	E	F	G	
Round	Ⓐ 62145	White straight vent	16-19 mm	34 mm	41 mm	84 mm	43 mm	40 mm	-	-	5
	Ⓑ 62146	White 90° elbow vent	16-19 mm	34 mm	41 mm	68 mm	43 mm	40 mm	59 mm	-	5
Oval	Ⓒ 62141	White straight vent	16-19 mm	34 mm	41 mm	84 mm	63 x 43 mm	40 mm	-	-	5
	Ⓓ 62142	White 90° elbow vent	16-19 mm	34 mm	41 mm	68 mm	63 x 43 mm	40 mm	59 mm	-	5
Rectang.	- 421901	White straight vent	16 mm	19 mm	25 mm	34 mm	34 mm	25 mm	54 mm	70 mm	2

Plastic vents, metal finish



Model	Ref.	Description	A	Drill Ø	B	C	D	E	F	
Round	Ⓐ 62147	Straight vent	16-19 mm	34 mm	41 mm	84 mm	43 mm	40 mm	-	5
	Ⓑ 62148	90° elbow vent	16-19 mm	34 mm	41 mm	68 mm	43 mm	40 mm	59 mm	5
Oval	Ⓒ 62143	Straight vent	16-19 mm	34 mm	41 mm	84 mm	63 x 43 mm	40 mm	-	5
	Ⓓ 62144	90° elbow vent	16-19 mm	34 mm	41 mm	68 mm	63 x 43 mm	40 mm	59 mm	5



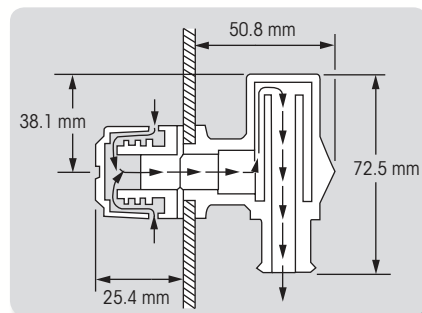
Metal vents

Model	Ref.	Description	For Ø
Ⓐ Straight, chromed brass	49361	D : 25 mm. H : 60 mm. SW : 23 mm. G : 19 mm. P : 16 mm. Weight : 85 g.	Hose Ø 16 mm
	418853	A : 65 mm. D : 33 mm. H : 83 mm. SW : 26 mm. G : ½". Weight : 160 g.	Connector ½"
Ⓑ Straight, chromed brass	418854	A : 68 mm. D : 38 mm. H : 88 mm. SW : 32 mm. G : ¾". Weight : 230 g.	Connector ¾"
	418855	A : 75 mm. D : 48 mm. H : 98 mm. SW : 38 mm. G : 1". Weight : 375 g.	Connector 1"
Ⓒ Straight, chromed brass	419216	ISO 11105. With flame-guard.	Hose Ø 16 mm
Ⓓ Elbow, st. steel AISI 316	419454	With flame-guard. Flush flange.	Hose Ø 16 mm
Ⓔ Straight, st. steel AISI 316	419462	With flame-guard. Flush flange.	Hose Ø 16 mm



P-trap fuel tank vent **attwood** 421003

P-trap fuel tank vent, eliminates the need for an anti-siphon loop in the hose.
Black plastic body with stainless steel trim cover.
For hose Ø 16 mm.
Hull thickness : 14 mm max.
Drill diameter : 19 mm.



Chromed brass vents

- Straight : **13911**
- 90° : **13912**

Includes monel filter.
For hose Ø 16 mm.
Hull thickness 13 mm max.

St. steel clamshell vent



Material	Ref.	Dimensions (L x l x H)	📦
Inox 304	13927	41 x 38 x 11 mm	10
	13928	54 x 54 x 15 mm	5
Inox 316	421895	60 x 60 x 13 mm	2

Plastic clamshell vent 31519



White clamshell vent.
Dimensions (L x W x H) : 55 x 50 x 12 mm.

Oil change

Electric pumps



Oil change / winterizing system

12 V motor includes thermal overload protection.

Self-priming.

- 2.4 m electric cable and battery clips.
- Reversible contactor.
- Hose kit.
- 13 L storage container.

Voltage	Ref.	Flow rate
12 V	471865	5.6 L/min*

* variable output according to oil temperature (between 60 and 70°C).



Drill oil pump

471866

Oil change and liquid transfer pump, **self-priming**.
12 V motor includes thermal overload protection.

- Flow rate 757 L/hour.
- 1/4" - 6 mm Ø drill shaft.
- Rising main on inlet.
- 2.40 m hose.
- Outlets Ø 19 mm.

Manual pumps

Sump pump

37212

Hand sump pump manufactured from brass with rubber gaskets and hose.

Inlet tubes Ø 6-9-12 mm.
Cylinder length : 228 mm.



Syphon pump

403796

Suitable for transferring liquids such as oil, diesel, petrol and water.
Length 120 cm.

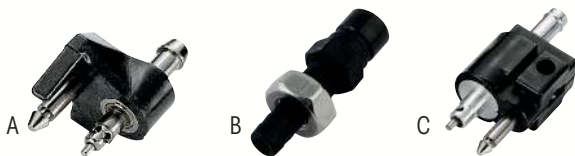
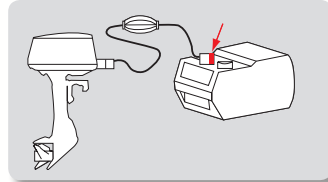
Fuel line connectors

Nitrile gasket : vulcanised rubber, standard quality.
Viton gasket : vulcanised rubber, superior quality.



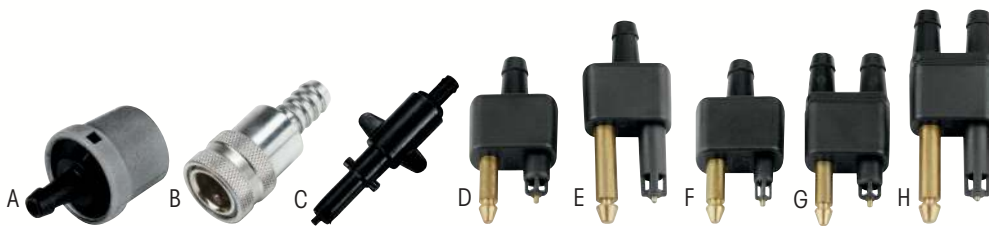
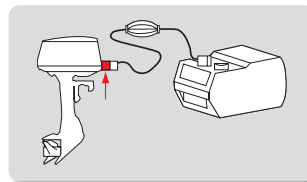
Tank connectors

For engine	Type	Nitrile	Viton
A JOHNSON EVINRUDE (OMC)	Male	-	31442
B YAMAHA	Male	-	31443
C MERCURY MARINER	Male	-	31441
D	Female	39304	-
E SUZUKI CHRYSLER FORCE	Male	-	39306
F HONDA SUZUKI TOHATSU NISSAN	Male	-	39307



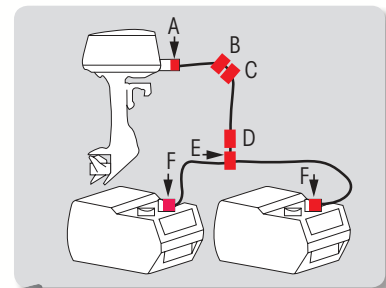
Engine connectors

For engine	Type	Viton
A JOHNSON EVINRUDE (OMC)	Male	39294
B TOHATSU NISSAN	Male	39309
C YAMAHA MERCURY MARINER	Male	39297



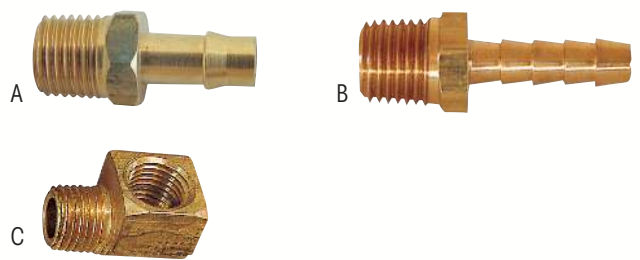
Hose connectors

For engine	Type	Nitrile	Viton	Where on diagram
SUZUKI, CHRYSLER FORCE	Female, for hose on engine and tank side	-	A 39305	A-F
TOHATSU NISSAN	Female, for hose on engine side	-	B 39308	A
HONDA	Female for hose on engine side	-	R 39310	A
JOHNSON EVINRUDE (OMC)	Female, for hose on engine and tank side	J 39295	K 39296	A-F-D-C
	Male, for loose hose	-	F 31440	B
	2-way male, for loose hose	-	I 31446	E
MERCURY MARINER	Female, for hose on engine side	N 39300	-	A
	Female, for hose on engine side (old model)	Q 39303	-	A-B
	Female, for hose on engine and tank side	L 39298	M 39299	A-F-D-C
	Female, for hose on tank side	O 39301	P 39302	F-D-C
	Male, for loose hose	-	E 31439	B
	2-way male, for loose hose	-	H 31445	E
	Male, for hose on tank side	C 17564	-	F-C
YAMAHA	Female, for hose on engine and tank side	L 39298	M 39299	A-F-D-C
	Male connector for loose hose	-	D 31438	B
	2-way male, for loose hose	-	G 31444	E



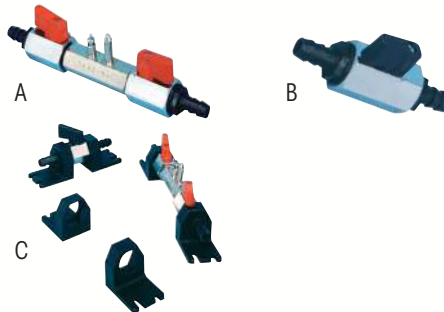
Fuel connectors

Model	Ref.
1/4" threaded connector for hose int. Ø 8 mm. (int. passage hole Ø 5 mm).	A 408013
1/4" threaded connector for hose 3/8" (int. passage hole Ø 7 mm).	B 403710
Reducing elbow connector for 1/4 x 1/8 US tank.	C 404196



Fuel valves

Description	Ref.
2-way fuel valve for hose Ø 10 mm. For OMC - JOHNSON - EVINRUDE.	A 43707
2-way fuel valve for hose Ø 10 mm. For YAMAHA - MARINER - MERCURY - HONDA.	A 43708
Shut-off fuel valve for hose Ø 8 mm.	B 44631
Polyamide valve holding brackets (pair).	C 45186



Hose & primer bulbs

Hose and primer bulb

Material	Ref.	Hose length	Bulb model	Filter included	Terminals included	Description
PVC	A 31958	2 m	ref. 31957	-	-	-
Rubber	B 45387	2 m	ref. 31957	-	-	-
	45388	3 m	ref. 31957	✓	-	-
Rubber	C 415830	2.5 m	ref. 424329	-	✓	For Yamaha Mariner 5/55 CV and Mercury 8/9.9 CV
	424332	2.5 m	ref. 424329	-	-	For Yamaha Mariner 5/55 CV and Mercury 8/9.9 CV

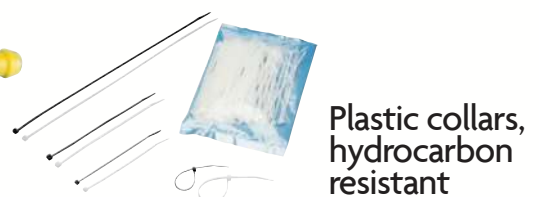


409995 : Stainless steel collar Ø 11 mm for fuel hose, removable tanks only (ISO10088 standard).



Primer bulb

Ref.	Ø	Length	Hose Ø
A 31957	45 mm	150 mm	8 mm
B 424329	48 mm	190 mm	9.5 mm



Plastic collars,
hydrocarbon
resistant

Black	White	Length	Width	Ø max.
43816	43815	120 mm	4 mm	28 mm
43824	43822	200 mm	5 mm	51 mm
43830	43829	360 mm	5 mm	112 mm

Fuel hose – internal use



Hose for internal (motor compartment) or external use (fire resistant) to ISO 7840 standard.

Models	Ref.	Int. Ø mm	Ext. Ø mm	Max pressure	Packed by multiples of
CARBO supply	411158	6 mm	16 mm	10 bars	10 m
	411159	8 mm	17 mm		
	411162	16 mm	26 mm		
CARBO refuelling	411171	51 mm	63 mm	-	2 m
	411172	38 mm	50 mm	-	1 m



Fuel hose
for outboard
motor intake
50 m length.

Construction	Ref.	Int. Ø	Ext. Ø
Polyurethane	37338	7 mm	12 mm
PVC	37339	7 mm	13 mm
Polyurethane	39311	10 mm	16 mm

Fuel Filters

Separator filters

Water and solid contaminants accumulating in the tank often generate failure in your engine fuel pump and injection system.

The function of the filter is to :

- Provide efficient **separation** : water is denser than fuel and flows downward into the filter.
- **Filtrate** contaminants : the solid contaminants are filtered completely through the filter element, preventing any ingress.



Model (max. capacity / filtration)	For motor	Ref.	Features	Dimensions (H x Ø)	Weight
A 50 L/h - 10 µ	< 200 HP / < 2500 cm ³ . Diesel or petrol, Inboard or Outboard.	46552	Aluminium head and cartridge. Transparent plastic receiver bowl.	180 x 100 mm	590 g
B 80 L/h - 10 µ	< 300 HP / < 3500 cm ³ . Diesel or petrol, Inboard or Outboard.	46554	Includes a draining plug.	210 x 100 mm	670 g
C 50 L/h - 400 µ	< 300 HP / < 3500 cm ³ . Diesel or petrol, Inboard or Outboard.	46556	Aluminium head. Plastic filter and transparent receiver bowl.	116 x 74 mm	135 g

Accessories

- Galvanised steel connectors for hose Ø 8 mm**
- Straight connectors for filters 46552 & 46554 : **46561**
 - 90° elbow connectors for filter 46556 : **46558**

Spare parts

- Replacement cartridge for 46552 : **46553**
- Replacement cartridge for 46554 : **46555**
- Filter element for 46556 : **46557**



Diesel filters

Polyamid.

	Thread	For engine	Ref.	For hose internal Ø	Length	Weight
A	250 µ	< 2000 cm ³	418850	6 mm	105 x 35 mm	14 g
B	365 µ	< 3500 cm ³	49096	6-8 mm	125 x 40 mm	30 g
C	660 µ	> 3500 cm ³	49097	7-10 mm	200 x 50 mm	54 g



Petrol filters

Polyamid.

	Filtration	Max. motor recommended	Ref.	For hose internal Ø	Dimensions (L x max Ø)	Weight
A	130 µ	< 2000 cm ³	49094	6-8 mm	99 x 36 mm	20 g
B	130 µ	< 3500 cm ³	49095	6-8 mm	127 x 55 mm	45 g



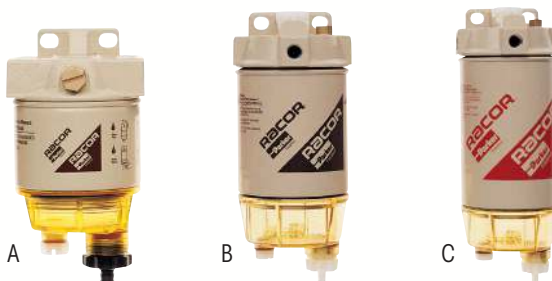
PETROL Spin-On filter

Spin-series is specially designed for outboard motors and gasoline In-board. The filter element is screwed directly on the head.

Ref.	Engine power	Flow	Height	Width	Thickn.	Weight	Replacement
A 410866	< 40 HP	95 L/h	109 mm	53 mm	57 mm	0.14 kg	410871 Filter S2502 (10 µ)
B 416681	40 to 75 HP	114 L/h	166 mm	81 mm	81 mm	0.5 kg	416682 Filter S3240 (10 µ)
C 410867	75 to 150 HP	227 L/h	222 mm	102 mm	102 mm	0.9 kg	410872 Filter S3227 (10 µ)
D 410869	> 150 HP	341 L/h	264 mm	114 mm	109 mm	1.4 kg	410874 Filter S3232 (10 µ)

DIESEL Spin-On filter

Filters diesel engines, small and middle.



Ref.	Flow	Height	Width	Thickn.	Weight	Replacement
A 410876	57 L/h	145 mm	81 mm	81 mm	0.59 kg	410880 Filter R12P (30 µ)
B 410877	114L/h	229 mm	102 mm	102 mm	0.80 kg	410883 Filter R20P (30 µ)
C 415521	114 L/h	229 mm	102 mm	102 mm	0.80 kg	410883 Filter R20P (30 µ)
C 410932	170L/h	267 mm	102 mm	102 mm	1.00 kg	410919 Filter R25P (30 µ)

Accessories and spare parts for Racor filters

Description	Ref.	Product type
90° elbow connector - nipple type - flexible 8 mm	410886	Connectors for Petrol and Diesel Spin-On series.
90° elbow connector - nipple type - flexible 10 mm	410887	
Straight connector - nipple type - flexible 6.5 mm	410888	
Straight connector - nipple type - flexible 8 mm	410933	
Straight connector - nipple type - flexible 10 mm	410890	Connectors for Spin On petrol filter 660 RAC0.
Straight connector - nipple type - flexible 8 mm	410891	
Straight connector - nipple type - flexible 10 mm	410892	
Straight connector - nipple type - flexible 12 mm	410893	

Description	Ref.	Specs.
Spin-On Diesel replacement filter elements	410880	30 Microns
	410883	
	411167	
	410919	
Bowl take-down key (suitable for all models on this page)	417643	-



Replacement filter elements

Only filters with MA termination (marine) can receive heat deflector shields.

Description	Type	Ref.
02 microns	Type 2010	410782
	Type 2040	410791
	Type 2020	410794
10 microns	Type 2010	410788
	Type 2040	410792
	Type 2020	410795
30 microns	Type 2010	410790
	Type 2040	410793
	Type 2020	410796

Be careful the choice of your filter should not depend only on the fuel consumption. Number of diesel engines have a significant return to diesel tank. You should rely on the maximum flow pump diesel. All filters are supplied without a connector.



Titan Marine TC-W3 Lubricant for 2-stroke outboard petrol engines

High standard semi-synthetic, specifically designed to lubricate 2-stroke and jet ski engines. Reduces harmful deposits, ring-sticking, provides effective protection from friction and wear and good resistance to corrosion and rust.

Titan Marine TC-W3 features :

- Exceptional cleanliness of internal engine.
- Protection against sticking piston rings.
- Low viscosity ensures a stable homogeneous mix.
- Excellent stability in unleaded petrols.
- Red colour designed to show up in fuel mixes.

Ref.	Volume
40258	1 L
53269	2 L
40259	5 L
40260	20 L

Meets the NMMA-TC-W3 specification.

Labelling in : GB, F, D, NL.



Titan Marine MC 10W-40 Lubricant for 4-stroke, petrol and diesel engines

Semi-synthetic lubricant with MC* base, specifically designed for pleasure boating. Suitable for high performance marine engines.

* MC : Molecularly Converted. High pressure hydrogenated base.

Titan Marine MC 10W-40 features :

- Optimum engine cleanliness.
- Superior protection against wear.
- Good stability to high temperature oil pressure.
- Full compatibility with other similar oils.
- Adaptability to catalytic converters.

Ref.	Volume
53046	2 L
53047	5 L
53048	60 L

Meets the API SH/CF-4, ACEA A3/B3/E3 specifications.

Labelling in : F, GB, D, NL.



Titan Marine 15W-40 Lubricant for 4-stroke inboard and outboard engines, petrol and diesel

Multigrade oil for use all year round in all petrol and diesel 4-stroke engines (including turbo-charged engines such as engines used on rescue boats, emergency power generating sets, fishing trawlers or professional fishing vessels). Protects against corrosion, friction and wear and keeps the internal engine clean.

Titan Marine 15W-40 features :

- High detergent properties for internal engine cleanliness.
- Excellent dispersancy.
- Exceptional thermal stability.
- Good resistance to corrosion and rust.
- Efficient against bore polishing.

Ref.	Volume
40262	2 L
40263	5 L
40265	60 L

Meets the API SG/CF-4, CCMC PD2/D4/G4 specification. Viscosity SAE 15W-40.

Labelling in : F, GB, D, NL.



Titan ATF 4000 fluid for hydraulic control 46414

1 litre bottle.

Specially fortified lubricant for hydraulic steering, trim and inverters which require a Dexron-type fluid.

- Good stability to corrosion.
 - Withstands heavy loads and protects from wear.
 - Marine growth repellent.
- Homologated MB p.236.1, General Motors Dexron III, Ford Mercon M2C 185A, GM Allison C4, ZF TE-ML 03/11/14.
Labelling in F, NL.

Lubrication and performance



Gear lubricant Titan Marine Gear MP

46413

250 ml tube.
85 W-90 extreme pressure lubricant designed for outboard gear and Z-Drive transmission systems.

- Anti-corrosion additives protect the mechanical transmission gear.
 - Marine growth repellent.
- Meets specifications API GL5, MIL-L-2105 D.
Labelling in GB, F, D, NL.



Multi-purpose Renolit grease

46415

250 g tube.
NLGI 2 grade.
White marine grease particularly designed for greasing engines and marine accessories.

- Excellent protection against corrosion.
 - Good mechanical stability.
 - Easy to pump.
- Labelling in GB, F, D, NL.



Renolit FEP 2 grease

46416

400 g tube.
NLGI 2 grade.
Extreme pressure, multi-purpose grease, recommended for standard temperature and load conditions.

- Good mechanical stability.
 - Easy to pump, even at low temperature.
 - Good protection against corrosion.
 - Excellent stability.
- Labelling in GB, F, D, NL.

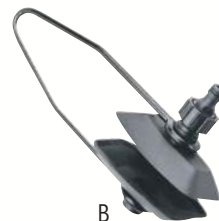
Outboard motor flushers

Engine attachment for flushing outboards with clean, fresh water.

Supplied with flushing connector



Engine attachments	Length L	Ref.	For hose Ø	Terminal
A Round	240 mm	10750	16 mm	Straight, with nut.
A Round	260 mm	417427	16 mm	Straight, with nut.
B Rectangular	230 mm	51497	16 mm	Straight, with nut.



Oil measurers

Description	Ref.
A Graduated plastic oil measurer with cap. Height 30 cm.	17616
B Small plastic oil measurer. Height 12 cm, Ø 5.8 cm.	26897



Exhaust systems



A



B

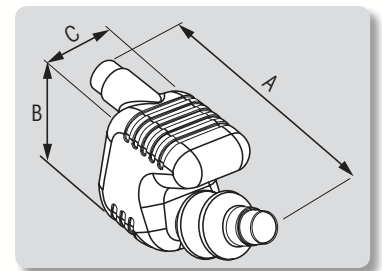


C

Waterlock

Enables to collect seawater present in the hose and reduces the noise in the exhaust system.

Capacity	Ref.	For hose int. Ø	Dimensions A x B x C	Weight
A 7 L	46571	40.5/45.5/50.5 mm	220 x 150 x 485 mm	1.2 kg
B 20 L	48917	55/60/65 mm	320 x 220 x 660 mm	2.8 kg
C 33 L	48918	75/90 mm	400 x 290 x 760 mm	4.2 kg
33 L	473876	100/115 mm	400 x 290 x 760 mm	4.2 kg

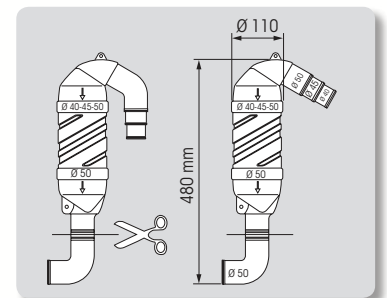


Gooseneck

- Polyethylene.
- Prevents water from entering into hose and engine through the exhaust circuit.
- For exhaust hose with internal Ø 40, 45 and 50 mm.



Model	Ref.	Hose Ø
A 45° gooseneck outlets	473872	Ø 40/45/50 mm
B 90° gooseneck outlets	46572	Ø 40/45/50 mm



Exhaust hose

Marine wet exhaust,
SAE J 2006 compliant

- Light and flexible.
- Smooth internal rubber hose against back pressure.
- Operating temperature : -30° to +80° C.
- Length : 5 m.

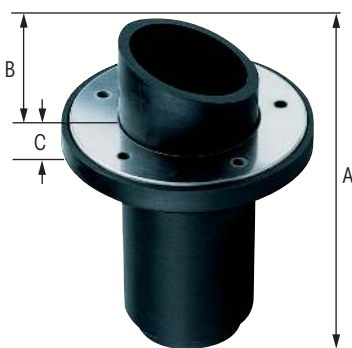
Ref.	Ext. Ø	Int. Ø		Weight/m	Bend radius
		mm	Inches		
46574	44 mm	40	1 9/16"	0.7 kg	80 mm
46575	49 mm	45	1 3/4"	0.8 kg	90 mm
46576	55 mm	50	2"	1 kg	100 mm
48922	64 mm	60	2 3/8"	1.2 kg	120 mm
48923	80 mm	76	3"	1.6 kg	150 mm
48924	95 mm	90	3 1/2"	1.8 kg	180 mm
410944	108 mm	102	4"	2.1 kg	200 mm

Flat clamp for exhaust hose

- 316 stainless steel.
- 12 mm band.



Hose Ø	Ref.	Suitable for hose
44-56 mm	35838	46574, 46575, 46576
58-75 mm	35840	48922
68-85 mm	35841	48923
87-112 mm	35843	48924



Transom exhaust connection

Easy transom mounting.
Rubber with stainless steel flange for screw-fixing.

Ref.	Hose internal Ø	Int. Ø	Ext. Ø	A	B	C
48919	50 mm	39 mm	52 mm	119 mm	30 mm	12 mm
48920	60/75 mm	50/62 mm	60/73 mm	123 mm	32 mm	10 mm



316 st. steel straight exhaust outlet

Fixed with 4 screws

Ref.	Useful Ø	Ext. Ø (flange)	Height
473904	38 mm (1"½)	83 mm	116 mm
473905	48 mm (1"7/8)	92 mm	143 mm
473906	63 mm (2")	105 mm	143 mm



Exhaust outlet valve

Supplied with tightening clamp.

Ref.	Ø
473866	50 mm
473867	63 mm
412757	75 mm
408164	100 mm
473868	150 mm

Water filters



Water filters - High capacity

Stainless steel strainer on all models.

Description	Ref.	Capacity	Body	Output
A 2 short connectors	65348	150 L/min	120 mm	32 mm - 1"¼
B 2 hose barb connectors	411006	150 L/min	120 mm	Ø 19/25/32 mm
C With st. steel bracket	411007	300 L/min	170 mm	38 mm - 1"½

Wallcarpeting

Wallcarpeting

Manufactured in PVC. Closed-cell foam coating provides efficient soundproofing and heat/cold insulation.
 Fireproof : meets the ISO 3795 standard.
 We recommend the use of a water-based glue.
 Width : 140 cm. Thickness : 2.7 mm.
 Available in 2 versions : smooth or embossed.
 Supplied in 25 m reels.

	Ref.	Colour	Version
A	37905	White	Smooth
	37906	Off-white	Smooth
B	37908	Egg shell	Embossed



Acoustic insulation



Foam

Standard compliant

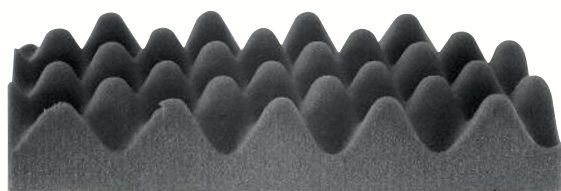
Flammability : FMVSS302 (burns with difficulty : flame propagation inferior to 100 mm/min.)

Compression deflection : DIN 53577

Elongation at break : DIN 53571

Compression set : DIN 53572

Description	Ref.	Density	Thickness	Sheet dimensions
Foam + foil facing.	13490	120 kg/m ³	20 mm	1 m x 0.50 m
Adhesive foam + foil facing.	13491			
Foam + foil facing.	13492	120 kg/m ³	30 mm	1 m x 0.50 m
Adhesive foam + foil facing.	13493			
Foam + foil facing.	35637	100 kg/m ³	40 mm	1 m x 0.50 m
Adhesive foam + foil facing.	35644			
Foam + foil facing.	35638	100 kg/m ³	50 mm	1 m x 0.50 m
Adhesive foam + foil facing.	35645			



M4 convoluted foam

Flexible and fireproofed foam made from convoluted polyester, specially designed for acoustic use.
 Good absorption properties for air-diffused mechanical sounds.

Fire classification : M4.

Net density : 27/29 kg/m³ ± 10%.

Resistance to compression : 40%.

Colour : charcoal grey.

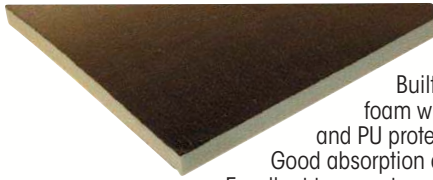
Temperature resistance : 40°C/+120°C.

Resistant to hydrocarbonates.

Size (L x W x Th.)	Ref.
200 x 100 x 3 cm	413576
200 x 100 x 4 cm	413577
200 x 100 x 5 cm	413578
200 x 100 x 6 cm	413579
70 x 50 x 5 cm	400525
Set of 4 convoluted panels	

M4 foam

Fire resistant.

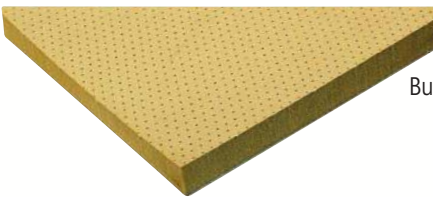


20 mm built-in PU foam - M4 473738

Built-in multi-component insulation foam with visco-elastic barrier and PU protection film.
Good absorption of bass and medium sounds.
Excellent temperature resistance, good resistance to oils and humidity.
Washable, complies with UL94 HBF standard.

Made from :

- PU film.
- Black PU foam, 20 mm thick.
- Density : 26 kg/m³.
- Adhesive side.
- Resistance to compression : 40%.
- Fire resistance : M4.
- Panel size : 150 x 100 x 2 cm.

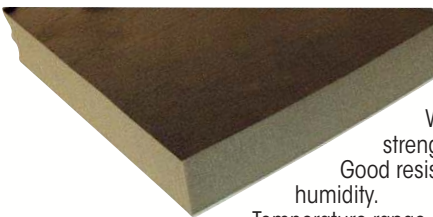


25 mm built-in PU foam - M4 473845

Built-in soundproofing foam.

Made from :

- Perforated PVC film.
- Polyurethane foam, 25 mm thick.
- Mass : 2 kg/m².
- 3 mm bond foam.
- Fire resistance : M4.
- Panel size : 200 x 130 x 2.5 cm.



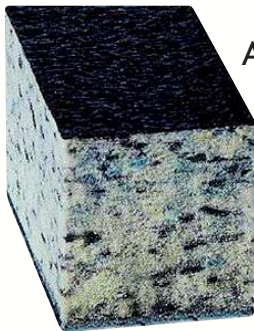
50 mm built-in PU foam - M4 402944

Built-in soundproofing foam.
Washable. Very good mechanical strength.
Good resistance to hydrocarbons and humidity.
Temperature range : -40°C to +120°.

Made from :

- Polyurethane protection film (25 μ).
- 45 mm absorbent foam - 30 kg/m³.
- PVC mass 5 kg/m².
- 5 mm bond foam - 30 kg/m³.
- Fire resistance : M4.
- Panel size : 200 x 140 x 5 cm.

ISO 4589-3



Agglomerated foam

Efficient acoustic insulation working at a wide range of frequencies extending from 125 Hz to 4000 Hz. 200 cm x 140 cm panel.

Composition :

- Polyurethane film (25 μ) with density of 120 kg/m³. 100% sealed, washable and resistant to hydrocarbons and solvents.
- Absorbing polyurethane foam with density of 120 kg/m³ operating at low frequencies.

The ground panel model allows to stop low frequencies.

Self-extinguishing type fire approval. Meets ISO4589 European-3 standard.

Model	Ref.	Thickness	Weight
Without ground. Panel with self-adhesive backing.	475898	25 mm	3.2 kg/m
Without ground. Use with 2-layer glue (Neoprene).	475900	40 mm	5 kg/m
With ground. Panel with self-adhesive backing.	475899	40 mm	9 kg/m



Interconnecting strip 475881

Thin reinforced PU film.
70 mm wide x 5 m long roll.
Used to assemble two panels in a neat and efficient way.

Bilge ventilation

Classic electric blower

ISO 8846 : Ignition protected motor
ISO 9097 : Electrical fan



Hints to select the right bilge blower

Bulkhead-mount : the ideal option if installation is complex and connectors are numerous.

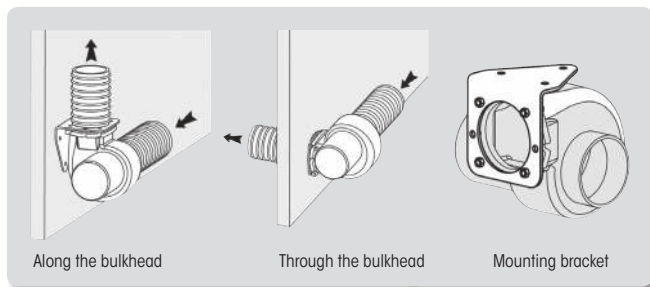
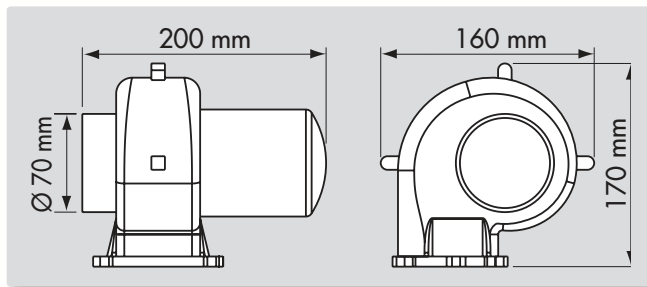
In line : the simplest and the most economic option, ideal in plain configurations without multiple elbows and connectors. Will usually have a longer lifetime than other models, with a reduced power consumption.



Selected by boatbuilders for its sturdy construction and durability.

- Suitable for use in the engine compartment, cabins and damp closets or areas.
 - In the engine compartment : it is essential to start the blower 5 minutes before starting the engine.
 - Its compact design allows installation in different positions and in space restricted areas. Can be mounted along or through a bulkhead, horizontally or vertically. An optional mounting bracket adapts the blower to all mounting possibilities.
- Sturdy polyamide housing for good shock resistance.

Power	Ref.	Output	Consumption
12 V	16274	150 m ³ /h	4 Amp
24 V	16275	150 m ³ /h	2 Amp



Accessories



• Flanged adaptor : **16276**
Ø 70 mm
125 x 125 mm



• Hose : **16277**
Ø int. : 70 mm.



• Gasket : **17642**



• Mounting bracket : **57287**



Any loured vent designed to fit hose Ø 70 mm is suitable



In-line bilge blowers



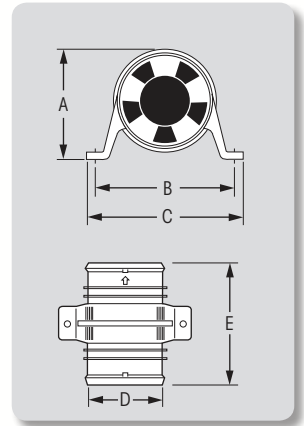
Turbo 3000



Turbo 4000

In-line bilge blower, continuous duty

Attwood blower, provides ventilation for engine compartment, bilge and marine head closets. Features a 5-blade fan generating optimum exhaust capacity. ABS housing dampens sound and vibration and is corrosion-proof. Built-in mounting feet allow horizontal or vertical installation. Meets ISO 9097 specifications.



Model	Power	Ref.	Version	Open flow	Max. fuse amp.	Consumption	A	B	C	D	E
Turbo 3000	12 V	26949	Standard	4 m ³ /min.	4 Amp.	2.6 Amp.	92 mm	114 mm	128 mm	76 mm	128 mm
Turbo 4000	12 V	26950	Standard	6 m ³ /min.	5 Amp.	2.5 Amp.	115 mm	140 mm	154 mm	102 mm	128 mm
Turbo 4000	24 V	426336	Watertight	6 m ³ /min.	3 Amp.	1.5 Amp.	115 mm	140 mm	154 mm	102 mm	128 mm



YellowTail in-line blower, continuous duty

High performance and efficiency thanks to six blades. Easy installation with extended bars and slotted mounting bracket. Meets ISO 9097 specifications.

3 year
Warranty



Ref.	Model	Power	Output	Amp.	Dimensions
475871	3"	12 V	3.4 m ³ /min	3.8 Amp.	130 x 140 x 96 mm
475872	4"	12 V	6.2 m ³ /min	5.5 Amp.	130 x 162 x 122 mm



In-line blower, intermittent duty **418201**

1 hour non-stop maximum use. Not ignition protected.

- Output : 2.8 m³/min.
- Power : 12 V.
- Amp. : 4.5 Amp.
- Fuse : 6.
- Dimensions : 120 x 120 x 210 mm.
- Intake Ø : 75 mm.
- Output Ø : 75 mm.

Ventilation ducting hoses

To avoid water intrusion into the ventilation circuit, place the ventilator in a protected area and do not hesitate to bend the hose.



Hose for ventilation with internal helical braid

PVC flexible hose reinforced with PVC internal helical braid. Smooth-walled inside. Temperature range : -15° C to +60° C. Do not use under pressure. Length : 10 m.

High flexibility



Ref.	Int. Ø	Thickness	Braid Thickness	Weight	Bend radius	Vacuum pressure
16277	70 mm	0.5 mm	3.3 mm	500 g/m	110 mm	150 mbar
27160	76 mm	0.5 mm	3.4 mm	530 g/m	115 mm	127 mbar
27161	102 mm	0.5 mm	3.8 mm	1000 g/m	127 mm	100 mbar



Hose for ventilation with external helical braid

PVC flexible hose reinforced with rigid shockproof PVC external helical braid. Smooth-walled inside. Temperature range : -10° C to +60° C. Do not use under pressure. Length : 25 m.

Lightweight and resistant

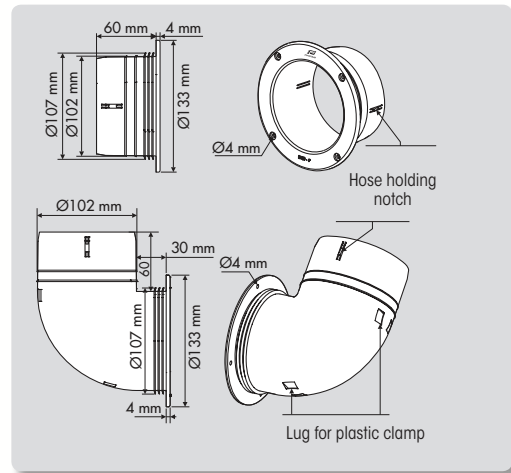
Ref.	Int. Ø	Thickness	Weight	Bend radius	Vacuum pressure
403945	70 mm	0.6 mm	415 g/m	105 mm	150 mbar
403944	75 mm	0.6 mm	465 g/m	113 mm	140 mbar
418253	100 mm	0.8 mm	615 g/m	150 mm	140 mbar

Connectors for ventilation shaft

Specifically designed to ventilate engine compartments.

- A - **51069** Elbow connector.
- B - **51070** Straight connector

Polypropylene construction : shock and load resistant, impervious to fuel and acetic acid. Notches and lugs hold the hose in position ; in addition, the hose must be secured with stainless steel clamps. Connector is easy to fit, by means of 4 screws outside.



A

For ventilation shaft
Ø 102 mm, 4".



B



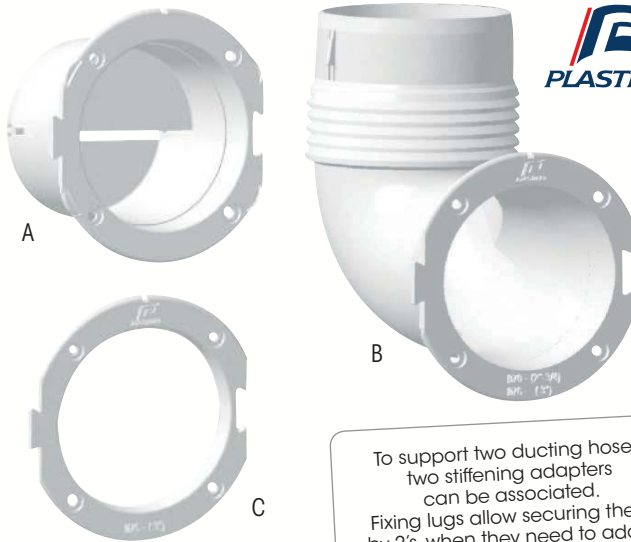
The elbow against the transom prevents water intrusion.

When installing the blower, we recommend to place the exhaust louvred ventilator in a reasonably protected area (for example, in the cockpit rather than on the transom), so as to prevent water intrusion into the ventilation circuit. An extra precaution consists in building an elbow in the hose.



Wall-mount PVC connector

Description	Ref.	Hose Ø
PVC straight connector	50155	65 - 70 mm
	50156	100 mm



To support two ducting hoses, two stiffening adapters can be associated. Fixing lugs allow securing them by 2's, when they need to adapt to a double louvered vent.

Stiff ducting adapters

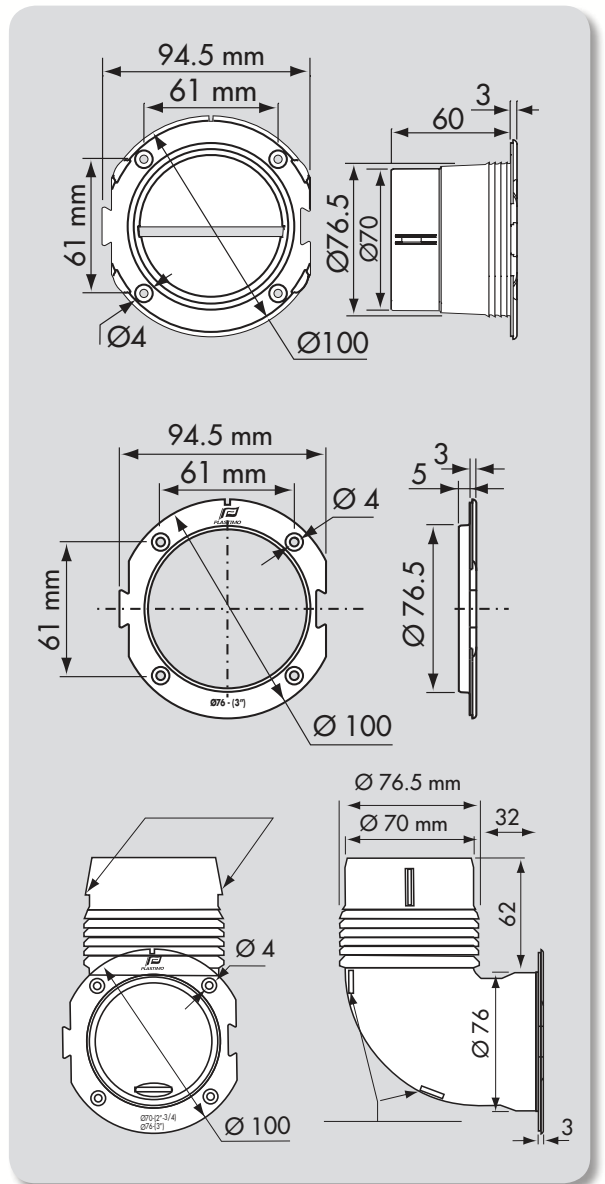
Suitable for Ø 3" and 70 mm ducting hose. Manufactured from polypropylene for a good UV-resistance. It is extremely shock and load resistant, compatible with common sealants and impervious to acetic acids. Made to support a hose along a bulkhead.

On the straight model, ventilation is ensured by a louvered opening, which also prevents heavy water intrusions.

Quick and easy installation :

Drill a Ø 76 mm hole. Notches ensure the perfect hold of the adapter in the bulkhead. Secure the adapter with 4 x M4 screws and sealant for waterproofness (compatible with most common sealants). Clip a louvered vent if necessary : moulded-in ribs contribute to the vent's secured position. Fit the hose on the adapter. Two lugs hold the hose, while waiting to be secured with stainless steel hose clips (not supplied).

Ref.	Modell
A 47514	3" straight adapter
B 54389	3" elbow adapter
C 54390	3" 5 mm flange



3" hose vents

Used either on its own to ventilate a locker or in conjunction with the stiffening adaptor for connection to a hose.

No screws required : neat aesthetics and time-saving assembly.

Ref.	Colour
47515	White
47516	Grey
47517	Black
56067	Chrome

Use :

- **Locker ventilation** : drill a Ø 73 mm hole with a hole saw, apply sealant and push-in the vent.
- **Inside locker ventilation, in conjunction with a hose** : the vent grid is simply clipped on the stiffening adaptor, requiring no glue nor mechanical fixture.



Ventilation flange

417965

Ø 75 mm - 3"

Black polyethylene resistant to water and hydrocarbons.

Easy mounting with no need for clamps. Access from above deck.

Vents

Range of vents covering most mounting possibilities typically encountered on a boat. The Plastimo range provides a stylish, efficient and mechanically resistant answer.

To prevent water intrusion into the ventilation circuit, place the vent in a protected area and if possible form a swan neck in the sheath.

Double vents



A

Connects two ventilation exhausts behind one single louvred vent.

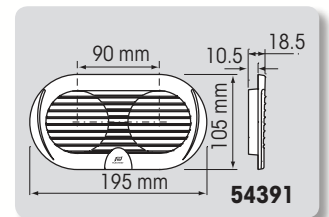


B



A - Example :
locker
ventilation

Description	Ref.	Dimensions	Colour
Double ventilator. Offers multiple combinations in conjunction with two adaptors (flange, straight or elbow stiffening adaptors). The vent is simply clipped on the stiffening adaptors (90 mm space between the two holes). Detachable double vent - Polyamide	A 54391	195 x 105 mm Ø 3"	White
	B 44545	255 x 115 mm	White



Louvered vents

AISI 316 st. steel louvered vents

Description	Ref.	Dimensions
A 3-slot	13356	208 x 111 mm
A 5-slot	13357	325 x 111 mm
B 4-slot	476180	210 x 113 x 38 mm
C 5-slot	403626	288 x 111 x 22 mm
D 10-slot	476185	527 x 76 x 32 mm



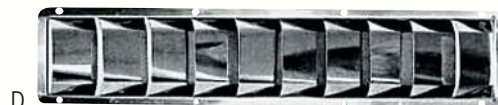
A



B



C



D



ABS louvered vents

Heavy duty ABS, corrosion and UV-proof.
Creme colour model can be lacquered.
Built-in dimensions : 406 x 56 x 25 mm.

Colour	Ref.	Dimensions
Chrome	403624	452 x 87 mm
Black	403625	452 x 87 mm
Cream	418221	452 x 87 mm

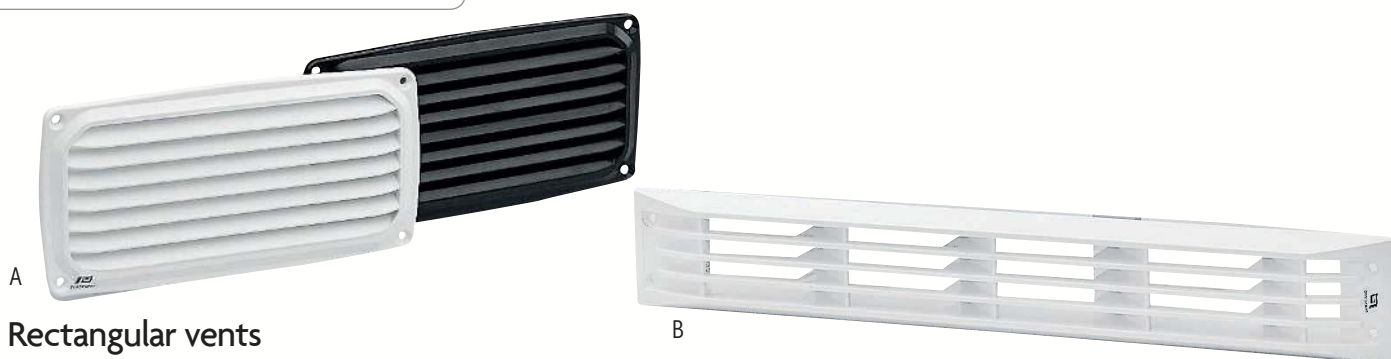
Plastic collector box

Black plastic.
2 exits, flow Ø 3" and 4".
Suitable for ventilation or water exhaust.



Ref.	Dimensions	Flow exits
403623	260 x 83 x H 140 mm	2 x 3"
423807	460 x 115 x H 127 mm	2 x 4"

Plastic vents



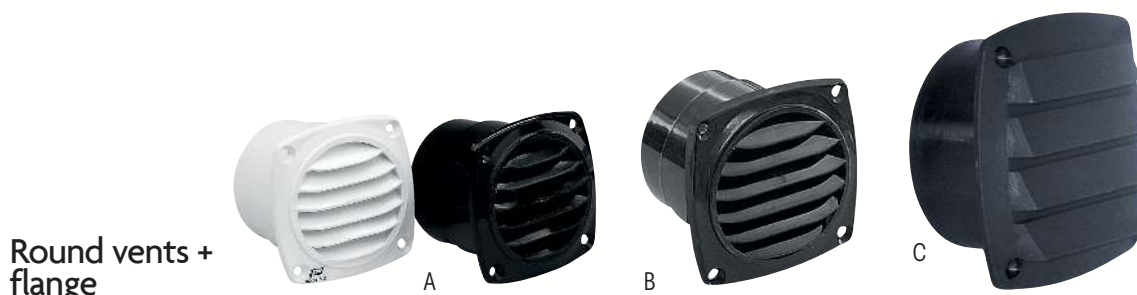
Rectangular vents

Description	Ref.	Colour	Dimensions
A Plastic	16311	Black	200 x 100 mm
	17657	White	
B ABS	27320	White	441 x 69 mm Cut-out 390 x 49 x 19 mm



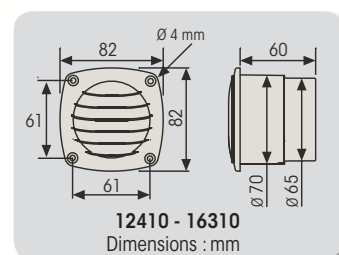
Square vents

Dimensions	White	Grey
84 x 84 mm	A 424932	-
92 x 92 mm	B 47063	C 47064
118 x 118 mm	D 50152	-



Round vents + flange

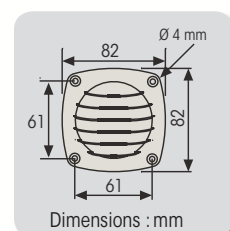
Ref.	Colour	Dimensions
A	12410	White
	16310	Black
	421952	Black
B	421953	White
	421955	White
C	421956	Black



Round vents

Manufactured from PBT, for increased UV-resistance. Compatible with common sealants and impervious to acetic acids. Resistant to distortion resulting from hygrometry fluctuations.

Ref.	Colour	Dimensions
12409	White	82 x 82 mm
16307	Grey	82 x 82 mm
16308	Black	82 x 82 mm



Stainless steel vents



A



B



C

Rectangular vents

Ref.	Material	Dimensions
A 16312	St. steel	115 x 230 mm
B 16314	St. steel	115 x 130 mm
C 16313	St. steel	65 x 125 mm



A



B



C



D



E

Fixed round vents

Ref.	Material	Dimensions
A 13355	316 St. steel	Ø 125 mm
423516	304 St. steel	Ø 100 mm
B 423517	304 St. steel	Ø 127 mm
423520	304 St. steel	Ø 152 mm
414528	304 St. steel	Ø 64 mm
C 414529	304 St. steel	Ø 83 mm

Butterfly round vents

Ref.	Material	Dimensions
402873	304 St. steel	Ø 102 mm
D 402907	304 St. steel	Ø 127 mm
414451	304 L St. steel	Ø 90 mm
E 414452	304 L St. steel	Ø 120 mm
414454	304 L St. steel	Ø 150 mm
412976	304 L St. steel	Ø 180 mm

Oval vent



Ref.	Description	Dimensions
472659	304 st. steel. Drill size 144 x 34 mm	150 x 40 mm

Square vent + flange



Ref.	Description	Dimensions
475364	316 st. steel vent flange for hose Ø 100 mm	127 x 127 mm



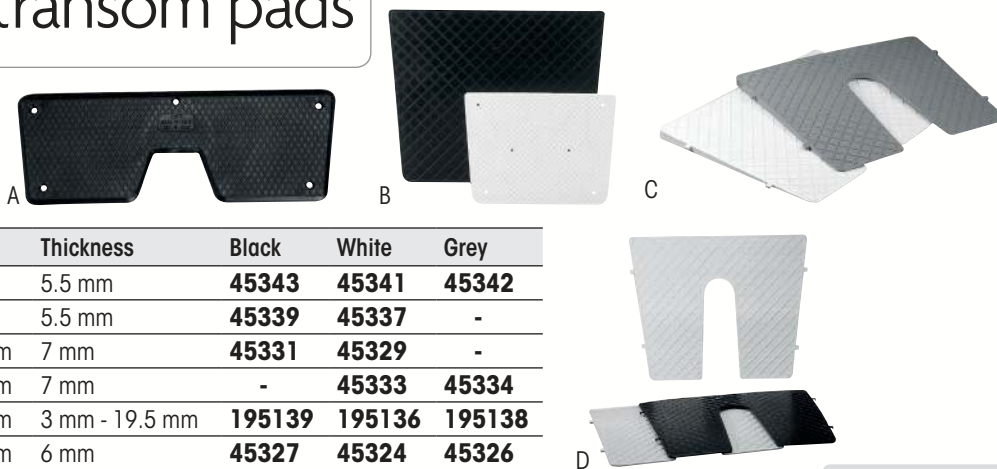
Folding outboard engine trolley & stabilizer

Zinc-plated steel structure, varnished wood board.
Wood board width : 43 cm.

Description	Ref.	Features
Folding outboard engine stabilizer.	A 402358	Overall height : 90 cm. Weight : 6 kg. Suitable for motor 20 HP (14.72 kW) 40 kg max.
Folding outboard trolley with tank-holder.	B 402357	Includes shock cord to secure tank. Overall height : 90 cm. Weight : 12 kg. Rubber wheels Ø 15 cm. Suitable for motor 20 HP (14.72 kW) 50 kg max.
Folding outboard trolley with tank-holder. Special wheels for sand.	C 418432	Includes shock cord to secure tank. Overall height : 90 cm. Weight : 10 kg. Wheels Ø 22 cm. Suitable for motor 20 HP (14.72 kW) 45 kg max.

Outboard transom pads

Plastic transom pads



	Width	Height	Thickness	Black	White	Grey
A	230 mm	86 mm	5.5 mm	45343	45341	45342
	270 mm	98 mm	5.5 mm	45339	45337	-
B	300 mm	220 mm	7 mm	45331	45329	-
	450 mm	360 mm	7 mm	-	45333	45334
C - Tilted	450 mm	360 mm	3 mm - 19.5 mm	195139	195136	195138
D	450 mm	360 mm	6 mm	45327	45324	45326



Aluminium transom pad

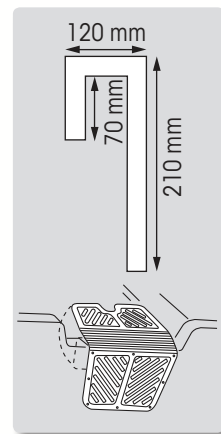
Anodized aluminium transom pad with safety cable fastening.

Ref.	Dimensions
402018	200 x 95 mm
402024	315 x 100 mm



Plastic outboard transom pad

Ref.	Description
16943	Rigid non-slip plastic. Prevents outboard clamps from damaging the transom. Dimensions : 250 x 90 mm.



Adjustable motor brackets



St. steel motor brackets, wood pad

175702

For motor 10 HP - 40 kg max.

Structure & springs : St. steel.

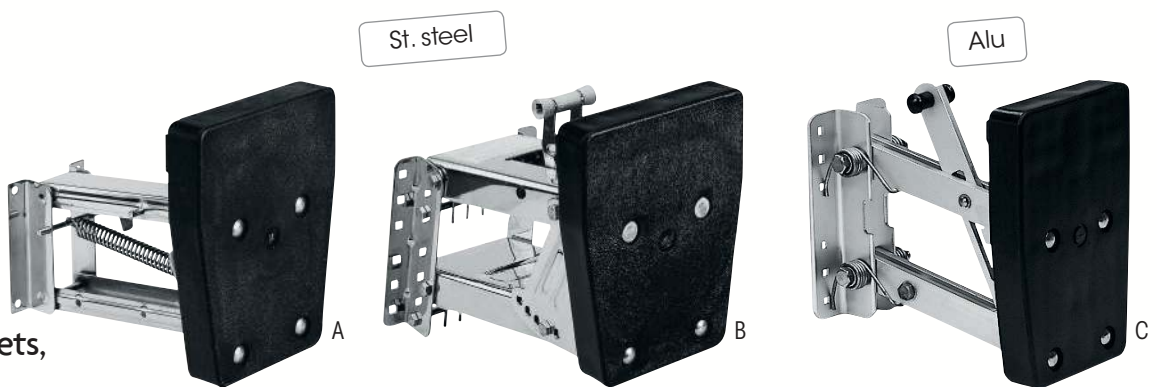
Pad : varnished marine quality plywood.

Height of pad : 248 mm.

Width of pad : 180 mm.

Thickness : 33 mm.

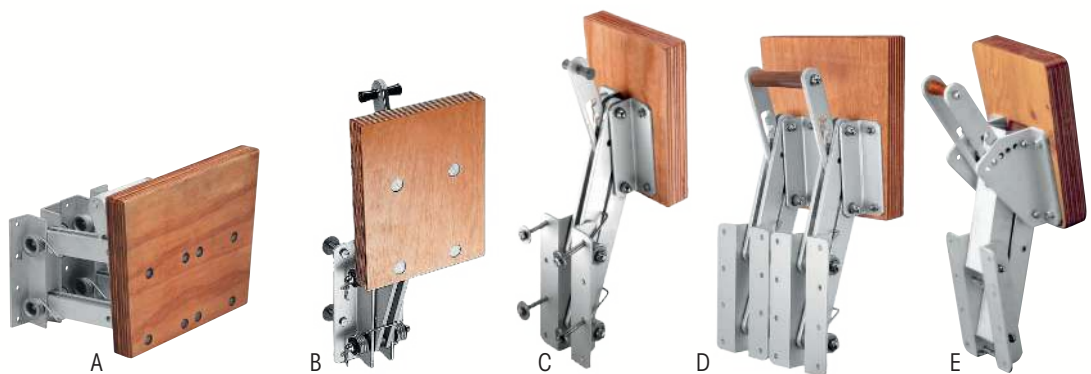
Height clearance : 355 mm.



Motor brackets, plastic pad

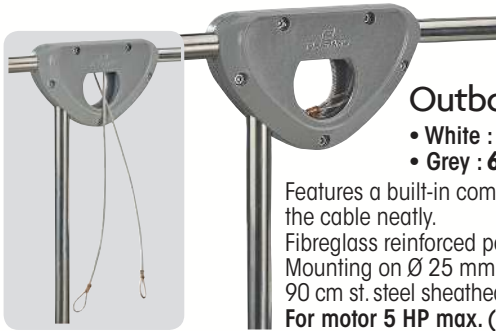
Ref.	Structure & pad	Pad	For motor	Height of pad	Width (pad top)	Width (pad base)	Thickness	Height clearance
A 51566	316 st. steel structure - 304 st. steel springs	Polypropylene	10 HP - 30 kg max.	265 mm	210 mm	160 mm	45 mm	260 mm
B 51567			20 HP - 50 kg max.	265 mm	210 mm	160 mm	45 mm	260 mm
C 31619	Structure & springs : anodised aluminium	Polypropylene	< 20 CV - 50 kg	265 mm	210 mm	160 mm	45 mm	310 mm

Aluminium motor brackets



Ref.	Structure & springs	Pad	For motor	Height of pad	Width (pad top)	Width (pad base)	Thickness	Height clearance
A 46326	Anodised aluminium - Double structure - Reinforced springs	Marine quality wood	9.9 HP 4 stroke - 30 HP 2 stroke - 70 kg max.	300 mm	375 mm	335 mm	42 mm	320 mm
B 400541			15 HP max - 30 kg max	270 mm	-	200 mm	40 mm	310 mm
C 400543	Anodised aluminium	Varnished marine quality wood	20 HP max - 35 kg max	270 mm	-	200 mm	40 mm	300 mm
D 473775			9.9 HP 4 stroke - 30 HP 2 stroke - 50 kg max.	300 mm	300 mm	270 mm	43 mm	280 mm
E 413927			25 HP max - 40 kg	270 mm	200 mm	-	40 mm	320 mm

Fixed motor brackets

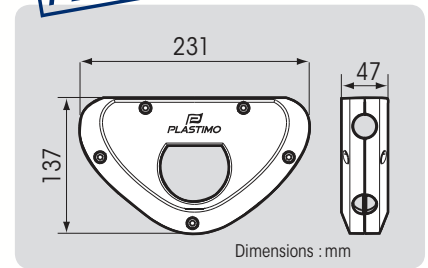


Outboard motor holder

- White : **61535**
- Grey : **65628**

Features a built-in compartment to store the cable neatly.
Fibreglass reinforced polyamide 6 and st. steel screws.
Mounting on Ø 25 mm stainless steel tube.
90 cm st. steel sheathed cable included (Ø 4.2 mm).
For motor 5 HP max. (30 kg max.).

**MADE BY
PLASTIMO**

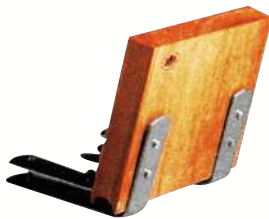


Fixed motor bracket



Console made from st. steel.
Varnished marine wood pad, adjustable in 3 positions.
Fastening to transom.
For motor : 8 HP - 40 kg max.
Height : 150 mm.
Width : 265 mm.
Thickness : 35 mm.
• **405066** : straight pad (0° to 17°).
• **405067** : inclined pad (22° to 35°).

Platform-mount motor bracket



414658
316 st. steel bracket, varnished wood pad.
For motor up to 8 HP (5.9 kW).
Length : 220 mm.
Height : 190 mm.
Depth : 210 mm.
Thickness : 32 mm.



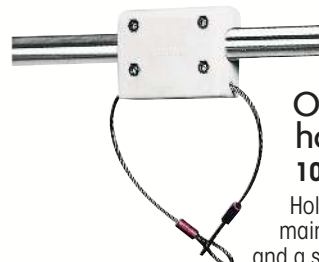
Teak rail-mount motor bracket for outboard

40167
Teak pad : 180 x 175 mm
Rail or pulpit Ø : 22 mm min., 25 mm max.
For motor up to 20 kg.



Rail-mount motor bracket

27289
For small outboard engines.
Pad dimensions : 250 x 200 mm.
Pad features 2 holes for tube Ø 22 or 25 mm.
Motor : 20 kg max.



Outboard motor holder with cable

10783
Holder is composed of a maintenance free plastic module and a stainless steel wire.

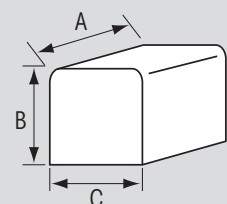
Easy DIY installation, with a simple wrench.
Can be adapted on any 25 mm diameter tube.



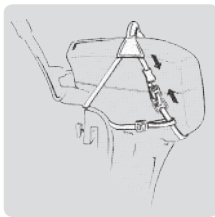
Outboard motor covers

With lanyard for perfect fit.

Dralon bleu royal	PVC white	Dimensions A x B x C
38018	38022	45 x 20 x 25 cm
38019	38023	45 x 25 x 30 cm
38020	38024	45 x 30 x 35 cm
38021	38025	55 x 35 x 35 cm



Accessories for motor brackets



Lifting sling for outboard motor

418654

For outboard engine <1 5HP (max. 50 kg).



Marine safety chain

51738

High safety chain in corrosion-free hardened steel. 10 mm shackle. Length 1.10 m. Integral sleeve for optimum protection. Ideal for outboard engine or any deck equipment (liferaft, tender,...).



Safety cable

Plastic coated st. steel cable, with a st. steel hook on each end.

Ref.	Description
A 17618	Transparent plastic coated. Length : 1 m.
B 414100	White plastic coated. Length : 60 cm.



Engine start braid

High strength, polyester braided with 16-plait core. High friction resistance. Density : 1.38.

Ø mm	White/black	Breaking strength	Length
3	417122	200 kg	200 m
4	417123	320 kg	100 m
5	417124	400 kg	
6	470001	590 kg	



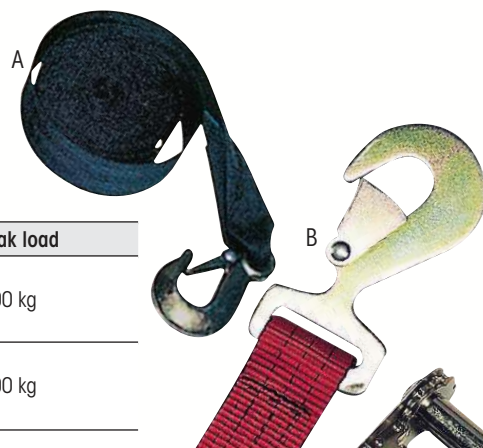
Johnson-Evinrude motor press

415707

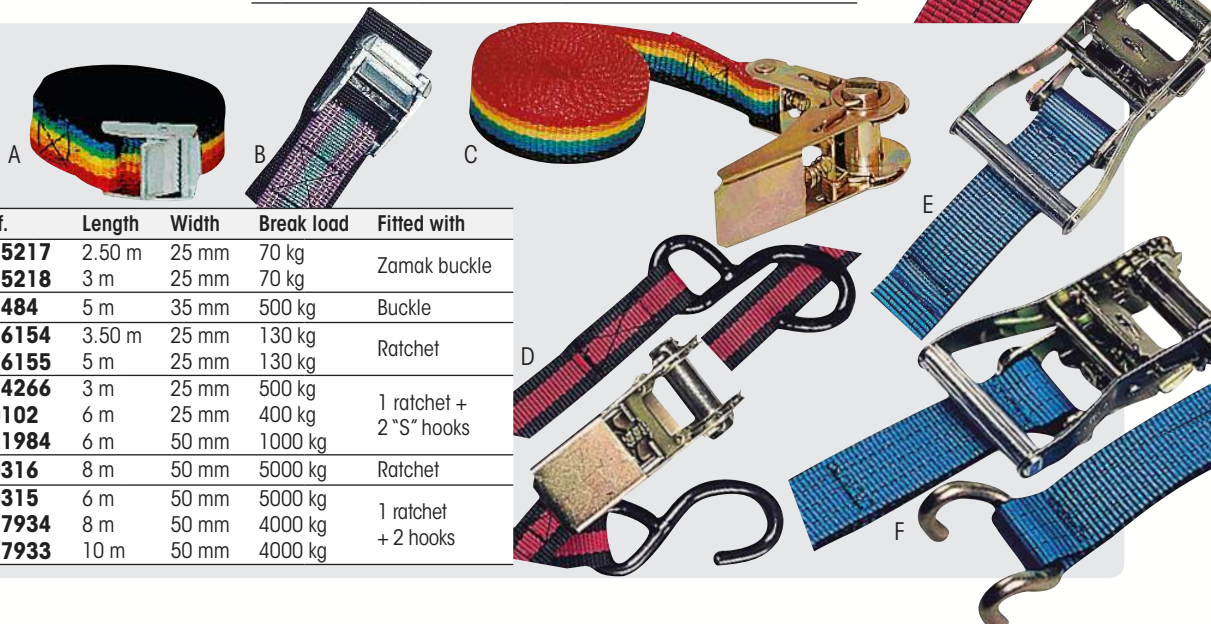
Winch straps

Eliminate all the problems of twisting and binding which can occur with cable. The large heavy duty hook allows for easy and secure retrieval. Rinse in fresh water regularly. 50 mm wide webbing straps.

Description	Ref.	Length	Break load
A Polyamide	410696	4.50 m	1800 kg
	410698	6 m	
	410699	7.50 m	
B Polyester	10755	4.50 m	5000 kg
	10756	6 m	
	10757	7 m	

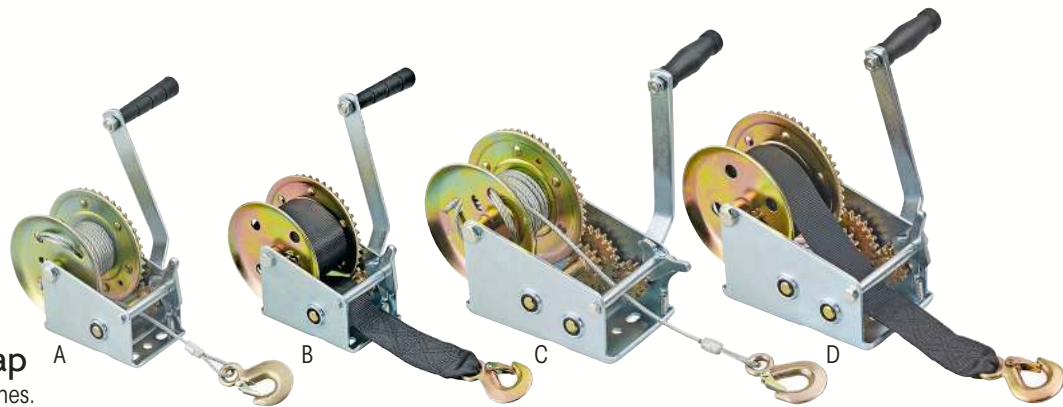


Polyester lashings



Model	Ref.	Length	Width	Break load	Fitted with
A	415217	2.50 m	25 mm	70 kg	Zamak buckle
	415218	3 m	25 mm	70 kg	
B	31484	5 m	35 mm	500 kg	Buckle
C	416154	3.50 m	25 mm	130 kg	Ratchet
	416155	5 m	25 mm	130 kg	
D	414266	3 m	25 mm	500 kg	1 ratchet + 2 "S" hooks
	10102	6 m	25 mm	400 kg	
	421984	6 m	50 mm	1000 kg	
E	10316	8 m	50 mm	5000 kg	Ratchet
F	10315	6 m	50 mm	5000 kg	1 ratchet + 2 hooks
	417934	8 m	50 mm	4000 kg	
	417933	10 m	50 mm	4000 kg	

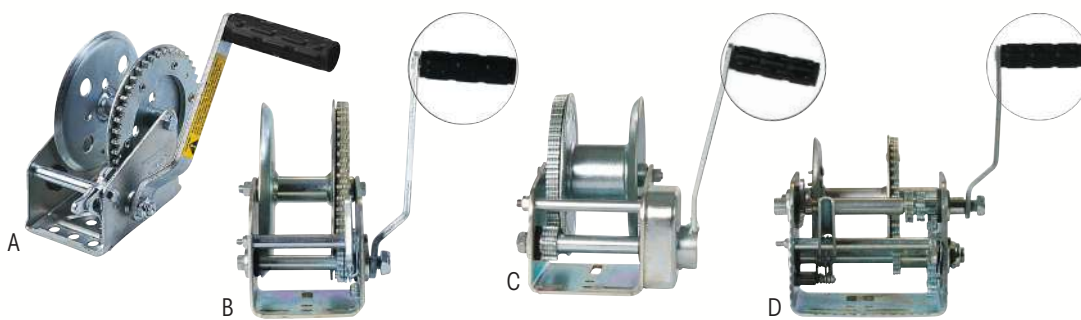
Trailer accessories



Trailer winches + cable or webbing strap

Zinc-plated steel manual trailer winches.

	Safe working load	With cable or webbing strap	Ref.	Gear ratios	Hub Ø	Handle
A	450 kg	Steel cable, 10 m Ø 4.2 mm	65547	4.1 : 1	18 mm	18.5 cm
B	450 kg	Webbing strap, 8 m x 50 mm wide	65548	4.1 : 1	18 mm	18.5 cm
C	1130 kg	Steel cable, 10 m Ø 5 mm	65549	5.1 : 1 + 12.2 : 1	21 mm	20.5 cm
D	1130 kg	Webbing strap, 8 m x 50 mm wide	65550	5.1 : 1 + 12.2 : 1	21 mm	20.5 cm



2-speed model with brake (D)

To change speeds or use the free rotation position, just press the locking lever and shift the handle from side to side. You don't have to remove the handle : no risk of losing it ! The handle does not spin in the free spool position.

Shelby manual trailer winches

Zinc-plated steel winches. Gears are heat-treated SAE 1050 high carbon steel. Cold forged steel one-piece gear ans shaft (25648, 25650, 25651 and 27867 models). Embossed frame. All bearings are oil impregnated.

Model	Capacity (with cable Ø 6.5 mm)	Capacity (with cable Ø 11 mm)	Capacity (with cable Ø 12.7 mm)	Ref.	Gear ratios	Break load*	Hub Ø	Handle
A 1 speed	-	-	-	25651	4.1 : 1	650 kg	19 mm	17.80 cm
	-	-	-	27868	5.1 : 1	850 kg	25.40 mm	20.32 cm
	12 m	-	-	25648	3.1 : 1	410 kg	19 mm	17.80 cm
	17 m	7 m	-	25650	4.1 : 1	540 kg	19 mm	17.80 cm
	9 m	-	-	27867	3.1 : 1	270 kg	19 mm	15.25 cm
B 1 speed, large hub	28 m	13.50 m	7 m	401142	5.1 : 1	770 kg	25.40 mm	20.32 cm
	30.50 m	12 m	-	401154	5.1 : 1	950 kg	25.40 mm	25.40 cm
C 1 speed + brake	26.80 m	-	6 m	401135	5.1 : 1	680 kg	64 mm	27.90 cm
D 2 speeds + brake	28 m	14 m	10.30 m	401157	5.1 : 1 - 14.7 : 1	1450 kg	25.40 mm	25.40 cm
	52 m	15.20 m	8.50 m	27869	5.1 : 1 - 14.7 : 1	1270 kg	25.40 mm	25.40 cm

*Maximum direct line tension the winch can withstand with one wrap of the line around the hub. The capacity rating decreases as the line builds up on the hub.

Winch cables

410700 : 6 m
410701 : 10 m

Manufactured from high tensile 7 x 19 galvanised aircraft cable. This pliable cable easily winds on winch reel and is fitted with 112 mm marine snap hook. Breakload : 1500 kg. SWL : 1000 kg.

Spare parts

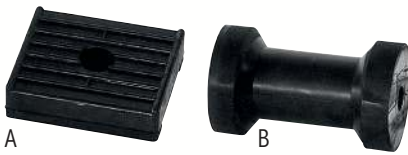
- Spare handle**
- For 25651, 25648, 25650 : **422256**
 - For 401142 : **422258**
 - For 401157 : **422255**





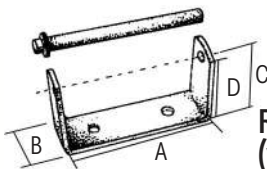
Trailer hitch

422400
Trailer hitch bowl Ø 50 mm. Thread Ø 24 mm x L. 55 mm.
Complies with ISO standard for 3.5 tons.



Rubber rollers and buffers

Model	Ref.	Length	Ø bore	Dimensions	
A Buffer block	416719	120 mm	-	Width 100 x thickness 40 mm	
	416718	300 mm	-	Width 100 x thickness 30 mm	
	416705	126 mm	16 mm	Ø max. 75 mm. Ø min. 50 mm. Reinforced spindle	
B Flat roller	416707	126 mm	21 mm	Ø max. 75 mm. Ø min. 50 mm	
	416704	195 mm	21 mm	Ø min. 47 mm	
	416708	197 mm	16 mm	Ø max. 69 mm. Ø min. 59 mm	
	416701	200 mm	16 mm	Ø max. 88 mm. Ø min. 60 mm	
	416709	197 mm	21 mm	Ø max. 69 mm. Ø min. 59 mm	
C «V» roller	403121	200 mm	21 mm	Ø max. 70 mm. Ø min. 60 mm. Weight 950 g	
	403122	200 mm	21 mm	Ø max. 86 mm. Ø min. 60 mm. Weight 1080 g	
	403129	200 mm	21 mm	Ø max. 86 mm. Ø min. 60 mm	
	416702	200 mm	21 mm	Ø max. 88 mm. Ø min. 60 mm	
	417380	200 mm	21 mm	Ø max. 90 mm. Ø min. 60 mm	
	D Castor roller	416712	74 mm	16 mm	Ø max. 82 mm
		416714	74 mm	18 mm	Ø max. 120 mm
416713		74 mm	21 mm	Ø max. 82 mm	
416715		74 mm	21 mm	Ø max. 120 mm	
E Castor roller	403132	70 mm	25 mm	Ø max. 142 mm	

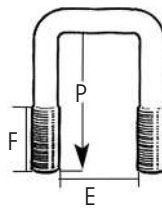


Roller brackets (without spindle)

Ref.	A	B	C	D
422423	137 mm	40 mm	55 mm	75 mm
422424	209 mm	40 mm	60 mm	80 mm

Spindles and washers

Ø	Length	Spindle	Washer
16 mm	250 mm	422417	422420
20 mm	250 mm	422419	422422

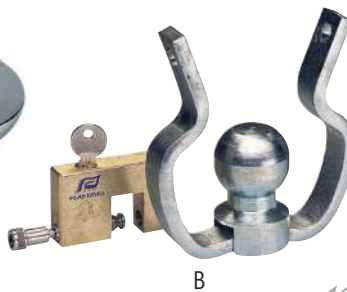


Zinc plated «U» bolts

Wire Ø 9 mm, M10 thread. Supplied with washers and nuts.

Ref.	Dimensions	E	F	P
422370	30 x 30 mm	30 mm		50 mm
422371	40 x 40 mm	40 mm		60 mm
422372	50 x 50 mm	50 mm		75 mm
422373	60 x 60 mm	60 mm		85 mm
422374	80 x 80 mm	80 mm	22 mm	110 mm
422375	100 x 100 mm	100 mm		120 mm
422376	60 x 30 mm	60 mm		55 mm
422377	80 x 40 mm	80 mm		65 mm
422378	100 x 50 mm	100 mm		70 mm
422379	120 x 60 mm	120 mm		80 mm

Master Lock



Trailer hitch locks

Simply fit the anti-theft device on the towing ball to keep your trailer safe when parked.

Ref.	Description	Fits couplers Ø
A 63623	Universal trailer coupler lock. Body in nickel plated die-cast zinc. Built-in lock with cylinder.	48 to 51 mm
B 31326	Set of coupler lock with padlock	50 mm

Option



Brass padlock alone :
410704
95 mm.
Stainless steel Ø 8 mm
straight shackle.

Trailer lighting

Hella marine 

Multivolt™ technology for durability and safety.

- Possibility to connect the light to 12 V or 24 V systems without modification and without impacting the illumination performance.
- Automatic compensation for low battery voltage and voltage drop.
- Reverse polarity and spike protection for enhanced durability even under severe voltage fluctuations.

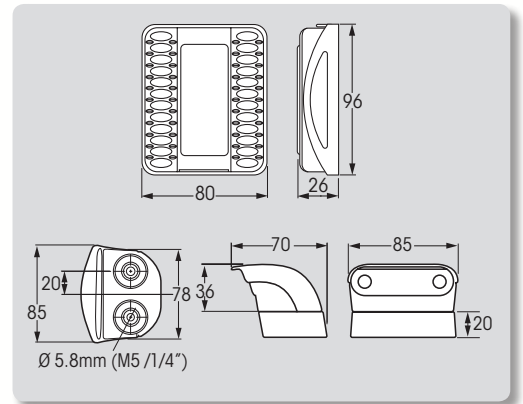
LED
Multivolt



A



B



5 year
Warranty

LED trailer lights

Waterproof LED trailer lights (IP67), heavy-duty, vibration and UV-resistant.

For increased safety on the road, they feature the Multivolt™ technology which ensures that the lamp will perform at full brightness (across a range of voltages) and will not be affected by voltage drop. Easy to install and maintenance free.

Suitable for both 12 V and 24 V connections.

Spike and reverse polarity protected.

Pre-wired with 50 cm cable (2.5 m for number plate light).

ECE approved.

Functions	Ref.	Voltage	Consumption
A Stop, rear position, rear indicator lamps and 18 cm ² red retroreflector.	61938	LED Multivolt™ 8-28 V DC	Position 1 W, direction 2 W and stop 2 W
B Number plate lighting (two lights must be installed to meet ECE requirements).	61939	LED Multivolt™ 10-33 V DC	0.5 W



Trailer light

403054 : 4-function square light.

Size : 98 x 98 x 49.5 mm

Spare bulbs

400767 : BA15S - 12 V - 21 W bulb

404908 : BA15S - 24 V - 21 W bulb



Trailer sockets and plugs

Ref	Description	Ref	Description
403057	7B plastic male plug	427708	Extension cable - 10 m - 6 wires.
403058	7B plastic female socket		

Bimini tops and fittings



Bimini tops, 3 arches

Bimini top with 3 arches anodised aluminium frame, fittings in nylon.
Anodised aluminium tube with polyamide connectors.
Height : 140 cm.

- **64279** : 170 x 180 cm.
- **64280** : 185 x 180 cm.
- **64281** : 200 x 180 cm.



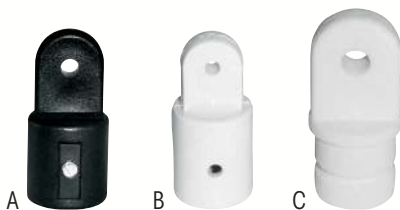
See
Monster Tower
range p. 486



Bimini

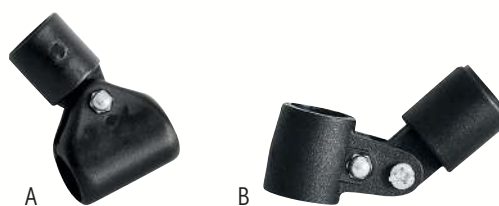
- Mounts instantly on the rear legs of the Monster Tower.
- Deploys or folds out of the way when not in use.
- Solid black Sunbrella® fabric. Rotproof and UV-treated : 10-year warranty on fabric.
- Polished and anodized tubing with black nylon hardware.
- Includes a black Sunbrella® matching boot for storage.

Model	Ref.	Dimensions	Code
Bimini top for MTK towers	64201	183 x 183 cm	BIM-MTK
Bimini top for MT1 tower	64216	165 x 157 cm	BIM-MT1
Bimini top for MTE tower	64215	163 x 163 cm	BIM-MTE



Polyamide eye ends

Colour	Ref.	For tube Ø	Features
A Black	416799	22 mm	-
B White	43090	20 mm	-
C White	416818	22 mm	Male fitting.



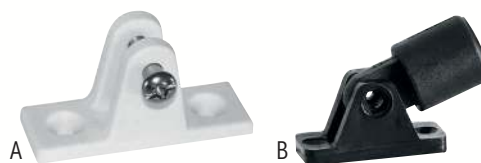
Tube hinges

Colour	Ref.	For tube Ø	Dimensions
A Black	413877	22 mm	Collar : 46 x 46 mm. Swiveling head height : 45 mm.
B Black	413879	22 mm	Collar : 46 x 46 mm. Swiveling head height : 45 mm.



Lashing hooks

Colour	Ref.	For rope Ø	Dimensions
White	44015	Rope or shock cord 8 mm max.	Length 40 x height 40 mm
Grey	44016	Rope or shock cord 8 mm max.	Length 40 x height 40 mm



Polyamide deck hinges

Colour	Ref.	For tube Ø	Features
A White	416809	-	With toggle pin.
B Black	413878	22 mm	Size : 55 x 21 x height 27 mm. Swivelling head 55 mm.



Polyamide jaw slide

416807

White, for tube Ø 22 mm.

Hinges



	Ref.	Model	Features	Description	Useful width	Length	Width	Height
A	416273	Screw	Side mount. Screw Ø 8 mm.	Stainless steel	-	47 mm	72 mm	-
B	401487	Screw	With screw Ø 5.5 m.	Chromed brass	-	49 mm	19 mm	16 mm
C	428280	Pin	Pin Ø 6 mm.	Stainless steel	8 mm	57 mm	18 mm	-
	404177	Pin	Pin Ø 7 mm.	Stainless steel	10 mm	54 mm	28 mm	-
D	400056	Pin	Pin Ø 5 mm.	Chromed brass	10.5 mm	50 mm	17.5 mm	18 mm
E	403102	Pin	For tube. Pin Ø 6 mm.	Stainless steel	8 mm	60 mm	22 mm	-

Eye ends

	Model	Ref.	For tube Ø	Material	Overall length	Int. Ø	Thickness	Depth
A Female	401090		22 mm	Chromed brass	55 mm	8.5 mm	5.5 mm	-
	404178		22 mm	Stainless steel	60 mm	7 mm	7 mm	300 mm
C Female	426706		25 mm	Stainless steel	60 mm	6.5 mm	6.8 mm	300 mm
	404179		25 mm	Stainless steel	60 mm	8 mm	10 mm	300 mm
	404171		31.7 mm	Stainless steel	60 mm	8.5 mm	7 mm	300 mm



St. steel jaw slides

	Model	Ref.	For tube Ø	Material	Useful width	Pin Ø	Features
B Standard	402996		22 mm	Stainless steel	8 mm	5.5 mm	-
	402921		25 mm	Stainless steel	11.5 mm	7 mm	-
B Standard	401092		22 mm	Chromed brass	8.5 mm	5 mm	Length 32 x width 54 mm
C Standard	402994		25 mm	Stainless steel	8 mm	5.5 mm	-
D Clamp-on	405834		20 and 22 mm	Chromed brass	8 mm	5 mm	With polyamide adapter Ø 25 mm.
E Clamp-on	405939		22 mm	Stainless steel	6 mm	6 mm	-
	405942		25 mm	Stainless steel	6 mm	6 mm	-



Chromed brass hook

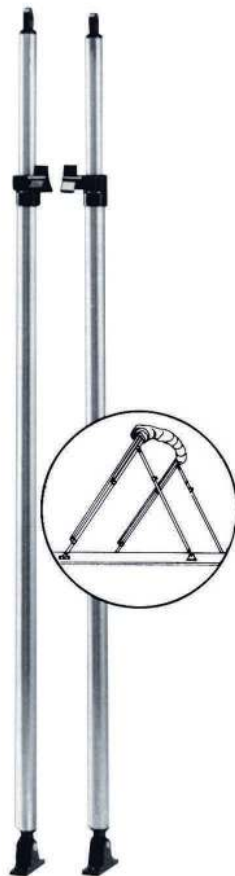
419221
43 x 12 x 13 mm (L x l x H)
Base 26 x 12 mm



Bimini adjustable poles

422107

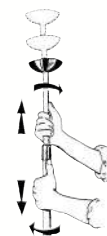
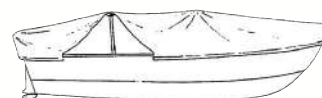
Replace rear straps.
Anodised aluminium.



Telescopic support poles for awnings

Anodised aluminium. Ideal for wintering, to prevent water stagnation in the awning.

Ref.	Height
43213	From 665 to 1020 mm
27497	From 865 to 1515 mm



Angling equipment

Fixed rod holders



Jean-Marie Liot ©



Metal rod holders

Options & Accessories



Model	Ref.	Length	Int. Ø	Features
304 st. steel	A 17046	216 mm	35 mm*	Removable rod holder. 100 x 90 mm plate for deck or bulkhead mounting.
316 st. steel	B 35174	232 mm	41 mm	Flush mount. Supplied with cap.
Chromed brass	C 400597	240 mm	40 mm	Flush mount. Supplied with cap.
	D 400570	250 mm	40 mm	Adjustable upper clamp.

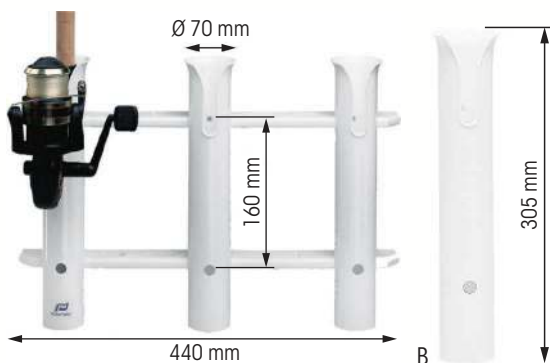
*38 mm without flange.

Plastic rod holders



Model	Material	Ref.	Length	Int. Ø	Features
White	PVC	A 62256	228 mm	44 mm	Supplied with 2 st. steel sockets.
	Polypropylene	B 62259	228 mm	41 mm	Flush mount.
	Polyamide	C 62253	230 mm	40 mm	Flush mount. Supplied with cap*.
	Polyamide	D 196403	230 mm	40 mm	Flush mount. Supplied with cap.
Black	Polyamide	E 44490	235 mm	40 mm	Straight. Flush mount.
	Polypropylene	F 62255	228 mm	41 mm	Flush mount.
	Polyamide	G 44487	230 mm	40 mm	Flush mount.
	Polyamide	H 37659	230 mm	40 mm	Flush mount. Supplied with cap.

* White spare cap : **62258**.



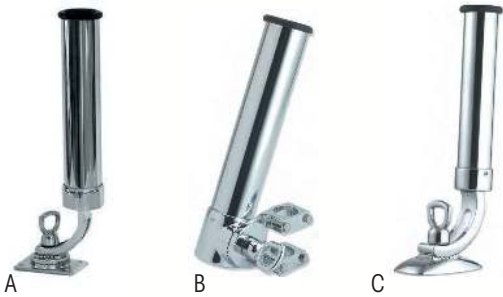
Bulkhead-mount storage racks

- For 3 rods. : **13405**
 - For 1 rod : **13406**
- Length : 305 mm. Ø : 70 mm.
Supplied with 2 st. steel clamps.

Adjustable rod holders



Jean-Marie Liot ©



Metal rod holders

Model	Ref.	Length	Int. Ø	Features
316 L st. steel	A 400614	330 mm	50 mm	Horizontal mount. Base dimensions : 100 x 65 mm.
Chromed brass	B 400609	290 mm	40 mm	Railmount. Ø tube : 22/25/30 mm
	C 400598	350 mm	40 mm	Horizontal mount. Base dimensions : 93 x 60 mm

Options & Accessories



• Rail mount base for 400609. **404956**



• Intermediate serrated washer for 418378 & 400598. **401768**



• Rubber for rod holder - Ø 40 mm. **401769**



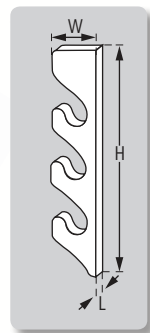
• Rod holder base for 400598. **478205**



Plastic rod holders

Ref.	Features
A 27520	Reinforced plastic rod holder. Locking ring to secure the rod. 180° vertical easily adjustable. Fits all types of rods. 3-year warranty. Supplied with mounting base.
B 37660	For fishing rod 40 mm Ø maximum. Length : 215 mm. Vertical adjustment knob. Supplied with 2 sockets (for lateral or flushmount).

Fishing rod storage



Rod and boat hooks racks

Description	Ref.	H	W	L
A Horizontal storage. Polyethylene. 2 rods.	62252	216 mm	73 mm	19 mm
B Horizontal storage. 3 rods held by strong rubber band.	31529	298 mm	63 mm	23 mm



Rod holding ring **62260**

White rod holding ring.



Fishfinders :
see pages
324-325.



Round surface float

Polyethylene.

Yellow	Orange	White	Ø cm	Height cm	Rope Ø cm	Buoyancy Overall	In use
-	43956	-	4.8	3.2	0.6	62 g	31 g
-	43960	-	5.6	3.6	0.8	71 g	35 g
62202	62188	62187	8	3.9	0.8	500 g	130 g



Marker float 16381

Red and white polystyrene.
Floats are supplied without
rope.
Length : 14 cm, Ø : 6 cm.
Rope Ø : 1.2 cm.
Buoyancy overall : 262 g.
Buoyancy in use : 131 g.

Round surface float

Suitable for fitting marker flag.

Yellow	Orange	White	Ø cm	Height cm	Rope Ø cm	Buoyancy Overall	In use
43399	62182	62181	17	14.5	2	3 kg	1.7 kg
43397	62185	16385	26	20	3	15 kg	8.5 kg



Aquascope, collapsible

Description	Ref.	Ext. Ø	Height
Ideal to watch the underwater world from your boat.	31409	33.5 cm	51 cm



Small bathyscope

Ref.	Length	Height	Width
43350	20 cm	41 cm	17 cm

Diving equipment

LIFE FLAG To be rescued, we must be seen



61690 - Day



61690 - Night

Diving flags

Innovative process :

Photoluminescence process combined with fluorescence optimizes the location by night or day, in all weather conditions. 5 minutes exposure to a bright light = 8 hours of photoluminescence

Benefits :

- **Safety** : excellent visibility by night or day, immediate spotting even from airplane.
- **Easy to use** : quick and easy fastening with shock cords, fully operational when flat or hoisted.
- **Economic and eco-friendly** : durable safety equipment, recyclable. No other energy source required other than light.
- **Quality** : made in France, non-polluting manufacturing process with solvent-free, water based printing paste. French patent. LNE certificate.

Model	Ref.	Dimensions	Weight	Features
Saint-Andrew's	61690	30 x 40 cm	< 50 g	Blocked mesh polyester fabric, 130 g/m ² . Tunnel strap (Life Flag exclusivity).
Alpha Pro	61824	100 x 125 cm	< 190 g + soft PVC rushes < 80 g	Blocked mesh polyester fabric, 130 g/m ² . Mounted with a tunnel strap on luff. Floating print in the «V» perimeter of 2 cm width bands with photoluminescent texture. Finish with 2 closed covers to place 2 soft pvc rushes that allow to extend the flag in all weather. Complies with RIPAM/COLREG.



Diving flag

64370

Nylon, 30 x 40 cm.



Shark-repellent sachet

301802

Water-soluble powder producing a highly repellent acid solution.

- Dimensions : 18 x 8 cm
- Weight : 100 g
- Expiring date : 3 years (in sealed sachet)

Diver Recall Signal (DRS)

300603

Set of 3 units.

Emits a strong sound signal to call back divers at sea, in lakes or rivers.

Must not be used for any other purpose.



These kits enable you to carry out emergency checks only. It is imperative that correct dive safety training is obtained before operating this equipment.

Beuchat emergency diving kit

56196

Designed for underwater emergency operations or routine maintenance checks below the waterline. This compact system is ideal for ferring fouled propellers and stern gear, anode inspection and hull maintenance...

Kit includes :

- 2-litre tank.
- Regulator (1st and 2nd stages).
- Pressure gauge.
- Stabilising harness with weight pockets.
- Mask and snorkel (adult size).
- Shock-resistant storage bag with internal padded compartments.

Dive duration : approx. 20 minutes at 3 metres depth.
Remaining air in the tank can be checked at all times with incorporated pressure gauge.

Tank can be filled using a standard diving compressor.

Weight : 6 kg.

Dimensions : 45 x 35 x 18 cm.

Accessories

Mask & snorkel (spare)

56197

Adult size.

CE



LED flashlight

301733

4 LED flashlight, floating and waterproof up to 100 m.

Ideal for boating, diving, jet ski...

• 4 bright white LED, life span of more than 5 000 hours.

• 50 to 70 flash/minute.

• Autonomy : 50 hours.

• Visibility up to 2 km.

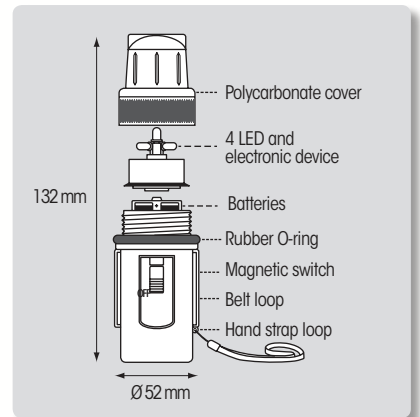
• ABS body and polycarbonate optic.

• Weight : 190 g with batteries.

• Power supply : 3 piles AA (not included).

• Supplied with lanyard and arm-strap.

Waterproof up to 100 m.



Great under-water performance IP68.



Aquadisc underwater lighting

64658

Easy to install below waterline, no need to go through the hull.

Supplied with voltage stabiliser, mounting bracket, screws and 1.5-m cable.

- Blue light.
- **St. steel, AISI 316.**
- 8-LED - 16 W.
- 12/24 V.
- 1120 Lumen.
- CRI (Color Rendering Index) : > 80.
- Working temperature : -10 to 45°.

